

(12) **United States Patent**
Suddaby

(10) **Patent No.:** US 11,219,532 B2
(45) **Date of Patent:** Jan. 11, 2022

(54) **STAND-ALONE EXPANDABLE INTERBODY SPINAL FUSION DEVICE WITH LOCKING MECHANISM**

(71) Applicant: **Loubert S. Suddaby**, Orchard Park, NY (US)

(72) Inventor: **Loubert S. Suddaby**, Orchard Park, NY (US)

(*) Notice: Subject to any disclaimer, the term of this patent is extended or adjusted under 35 U.S.C. 154(b) by 242 days.

(21) Appl. No.: **16/222,086**

(22) Filed: **Dec. 17, 2018**

(65) **Prior Publication Data**

US 2019/0110900 A1 Apr. 18, 2019

Related U.S. Application Data

(63) Continuation-in-part of application No. 15/707,756, filed on Sep. 18, 2017, now Pat. No. 10,596,010.

(51) **Int. Cl.**
A61F 2/44 (2006.01)
A61F 2/30 (2006.01)
A61F 2/46 (2006.01)

(52) **U.S. Cl.**
CPC **A61F 2/4425** (2013.01); **A61F 2/447** (2013.01); **A61F 2/4455** (2013.01); **A61F 2/4611** (2013.01); **A61F 2002/30373** (2013.01); **A61F 2002/30471** (2013.01); **A61F 2002/30492** (2013.01); **A61F 2002/30507** (2013.01); **A61F 2002/30538** (2013.01); **A61F 2002/30593** (2013.01); **A61F 2002/30904** (2013.01)

(58) **Field of Classification Search**
CPC **A61F 2/44**; **A61F 2/447**
See application file for complete search history.

(56) **References Cited**

U.S. PATENT DOCUMENTS

5,505,732 A	4/1996	Michelson
5,653,762 A	8/1997	Pisharodi
5,665,122 A	9/1997	Kambin
5,683,463 A	11/1997	Godefroy et al.
5,827,328 A	10/1998	Buttermann
6,176,881 B1	1/2001	Schär et al.
6,190,414 B1	2/2001	Young et al.
6,395,034 B1	5/2002	Suddaby
6,524,341 B2	2/2003	Läng et al.
6,837,850 B2	1/2005	Suddaby
6,958,077 B2	10/2005	Suddaby
6,969,405 B2	11/2005	Suddaby
6,991,653 B2	1/2006	White et al.

(Continued)

OTHER PUBLICATIONS

Sahara AI Expandable Stabilization System; Advertisement flyer; Available from K2M, Inc. Leesburg, Virginia; Published as early as Oct. 20, 2015.

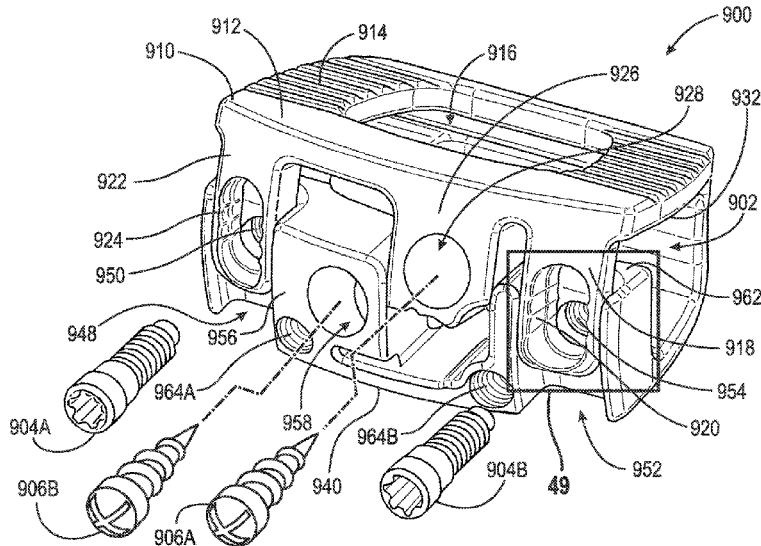
(Continued)

Primary Examiner — Christopher J Beccia
(74) *Attorney, Agent, or Firm* — Simpson & Simpson, PLLC; Michael Nicholas Vranjes

(57) **ABSTRACT**

An expandable interbody spinal fusion device, including an inferior component including at least one hole, a superior component connected to the inferior component, the superior component including a plurality of catches operatively arranged to align with the at least one hole, and a locking screw operatively arranged to engage the plurality of catches and the at least one hole to lock the superior component with respect to the inferior component.

20 Claims, 32 Drawing Sheets



(56)

References Cited

U.S. PATENT DOCUMENTS

7,309,358 B2 12/2007 Berry et al.
 7,597,714 B2 10/2009 Suddaby
 7,615,078 B2 11/2009 White et al.
 7,628,800 B2 12/2009 Sherman et al.
 7,648,529 B2 1/2010 An et al.
 7,731,752 B2 6/2010 Edie et al.
 8,007,535 B2 8/2011 Hudgins et al.
 8,057,549 B2 11/2011 Butterman et al.
 8,070,817 B2* 12/2011 Gradl A61F 2/44
 623/17.16
 8,187,328 B2 5/2012 Melkent
 8,241,363 B2* 8/2012 Sommerich A61F 2/4611
 623/17.16
 8,246,630 B2 8/2012 Manzi et al.
 8,273,126 B2 9/2012 Lindner
 8,303,663 B2 11/2012 Jimenez et al.
 8,435,296 B2 5/2013 Kadaba et al.
 8,480,738 B2 7/2013 Edie et al.
 8,512,406 B2 8/2013 White et al.
 8,568,481 B2 10/2013 Olmos et al.
 8,696,751 B2 4/2014 Ashley et al.
 8,900,312 B2 12/2014 McLean et al.
 8,932,302 B2 1/2015 Jimenez et al.
 8,956,413 B2 2/2015 Ashley et al.
 8,992,620 B2 3/2015 Ashley et al.
 9,005,291 B2* 4/2015 Loeb1 A61F 2/4425
 623/17.15
 9,011,499 B1 4/2015 Kiester
 9,066,760 B2 6/2015 Taber et al.
 9,078,767 B1 7/2015 McLean
 9,084,686 B1 7/2015 McLean et al.
 9,889,019 B2 2/2018 Rogers et al.
 2003/0191531 A1 10/2003 Berry et al.
 2007/0123987 A1* 5/2007 Bernstein A61F 2/44
 623/17.11

2007/0250172 A1 10/2007 Moskowitz et al.
 2008/0004705 A1* 1/2008 Rogeau A61F 2/44
 623/17.16
 2008/0058930 A1 3/2008 Edie et al.
 2008/0140207 A1 6/2008 Olmos et al.
 2008/0215153 A1 9/2008 Butterman et al.
 2010/0004752 A1 1/2010 White et al.
 2010/0057204 A1 3/2010 Kadaba et al.
 2010/0076559 A1 3/2010 Bagga et al.
 2010/0198352 A1 8/2010 Edie et al.
 2011/0130835 A1 6/2011 Ashley et al.
 2012/0059479 A1 3/2012 Buttermann et al.
 2012/0116518 A1 5/2012 Grotz et al.
 2013/0131808 A1 5/2013 Suh et al.
 2013/0231747 A1 9/2013 Olmos et al.
 2013/0253650 A1 9/2013 Ashley et al.
 2013/0261748 A1 10/2013 Ashley et al.
 2014/0012383 A1 1/2014 Triplett et al.
 2014/0188225 A1* 7/2014 Dmuschewsky A61F 2/442
 623/17.16
 2014/0207236 A1 7/2014 Prevost et al.
 2014/0277476 A1 9/2014 McLean et al.
 2014/0277480 A1 9/2014 Prevost et al.
 2014/0343678 A1* 11/2014 Suddaby A61F 2/4611
 623/17.16
 2015/0012098 A1 1/2015 Eastlack et al.
 2015/0081022 A1 3/2015 McLean et al.
 2015/0148907 A1 5/2015 Kleiner et al.
 2018/0116818 A1 5/2018 Rogers et al.
 2018/0206999 A1 7/2018 Suddaby
 2018/0303626 A1 10/2018 Rogers et al.
 2019/0175357 A1* 6/2019 Sharabani A61F 2/4455

OTHER PUBLICATIONS

Loubert S. Suddaby; Unpublished U.S. Appl. No. 15/273,032; Expandable Intervertebral Fusion Implant, filed Sep. 22, 2016.

* cited by examiner

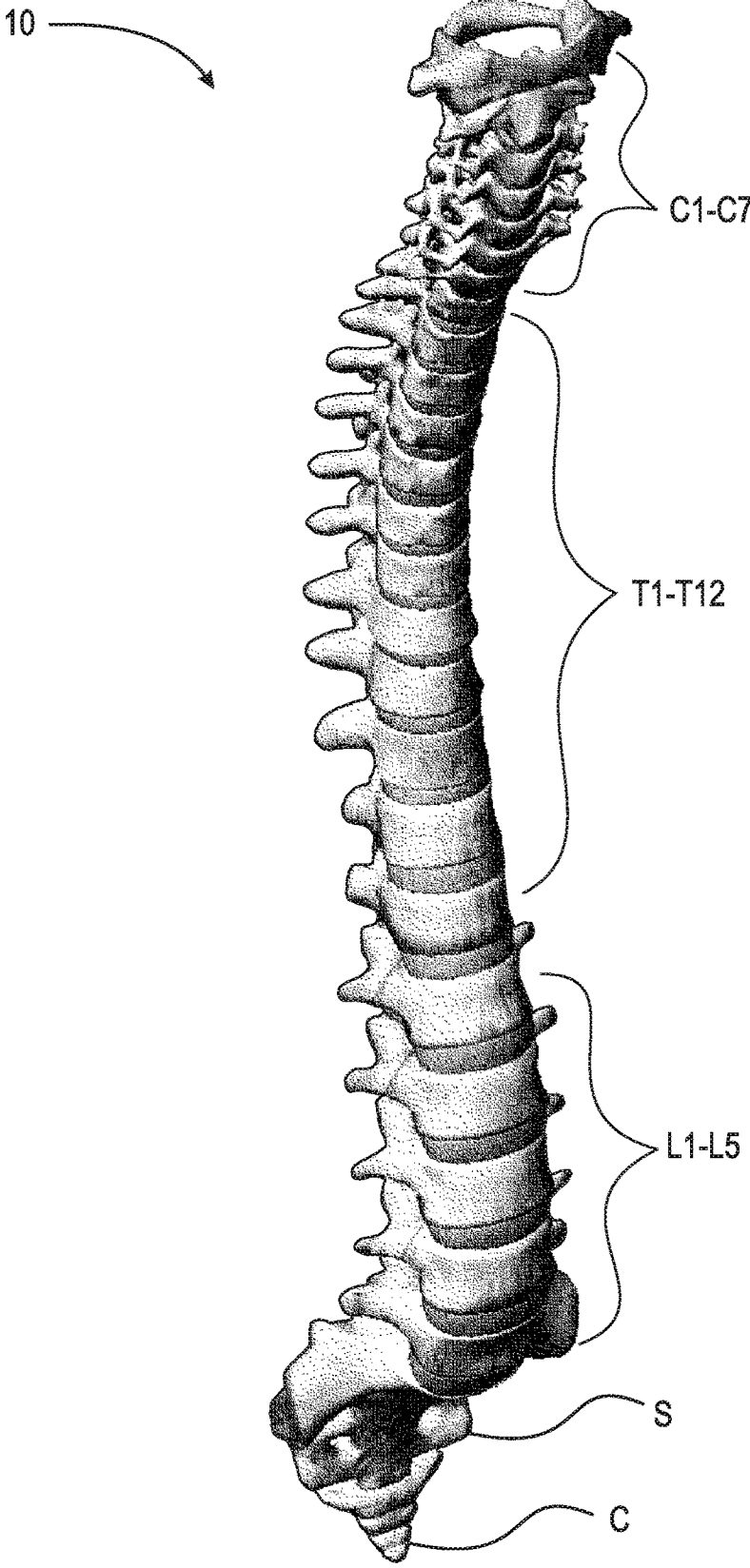


Fig. 1

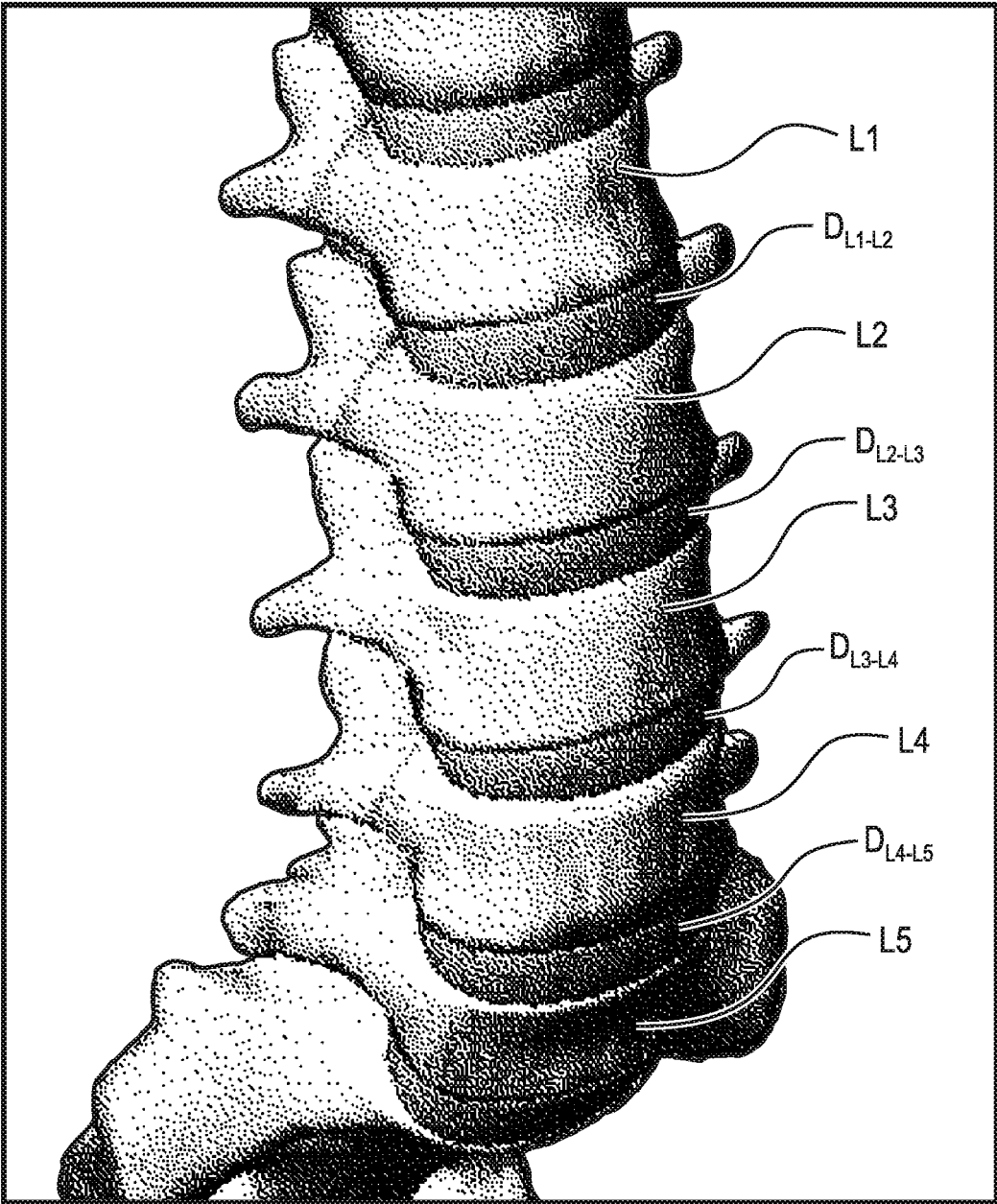


Fig. 2

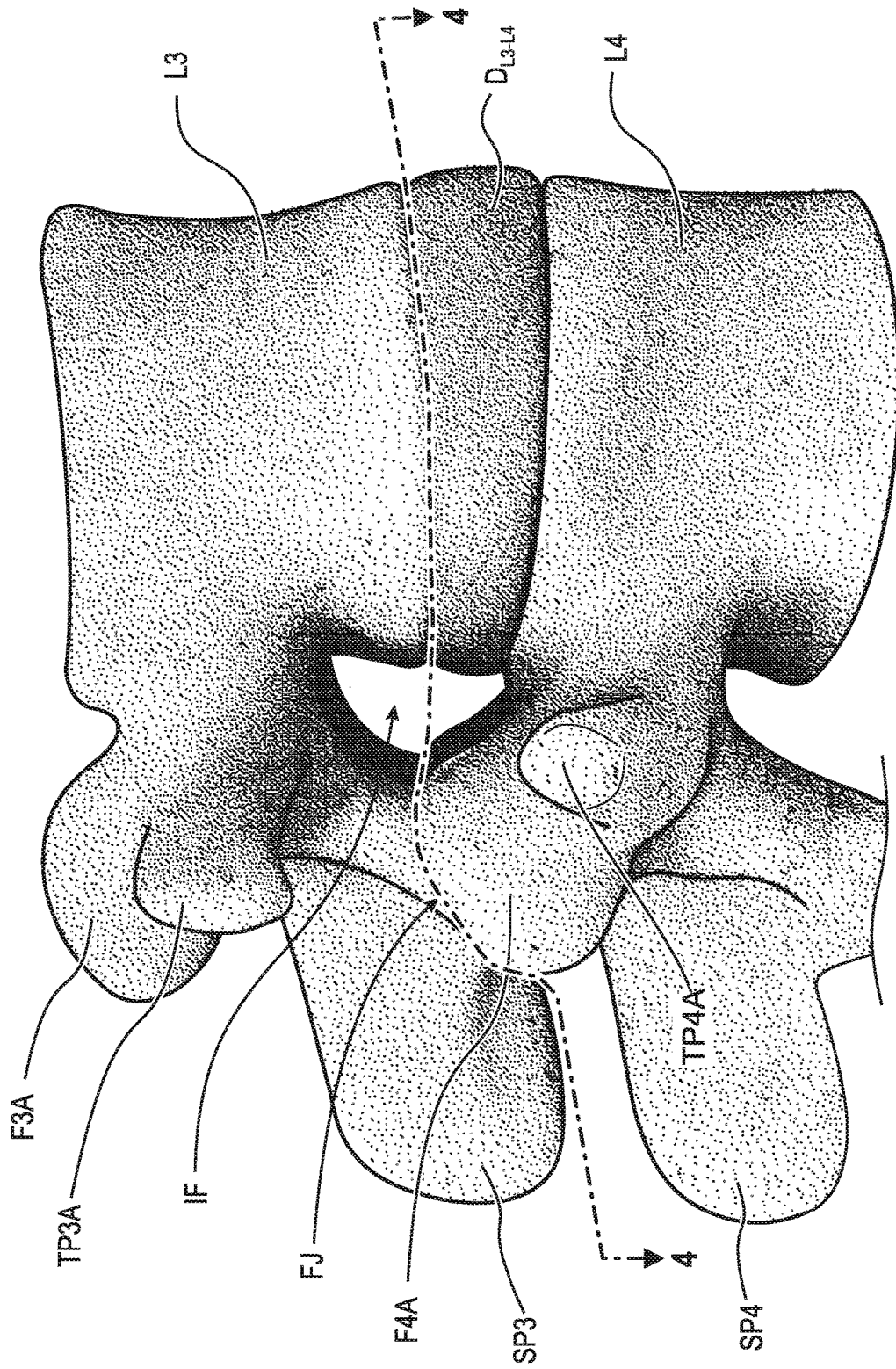


Fig. 3

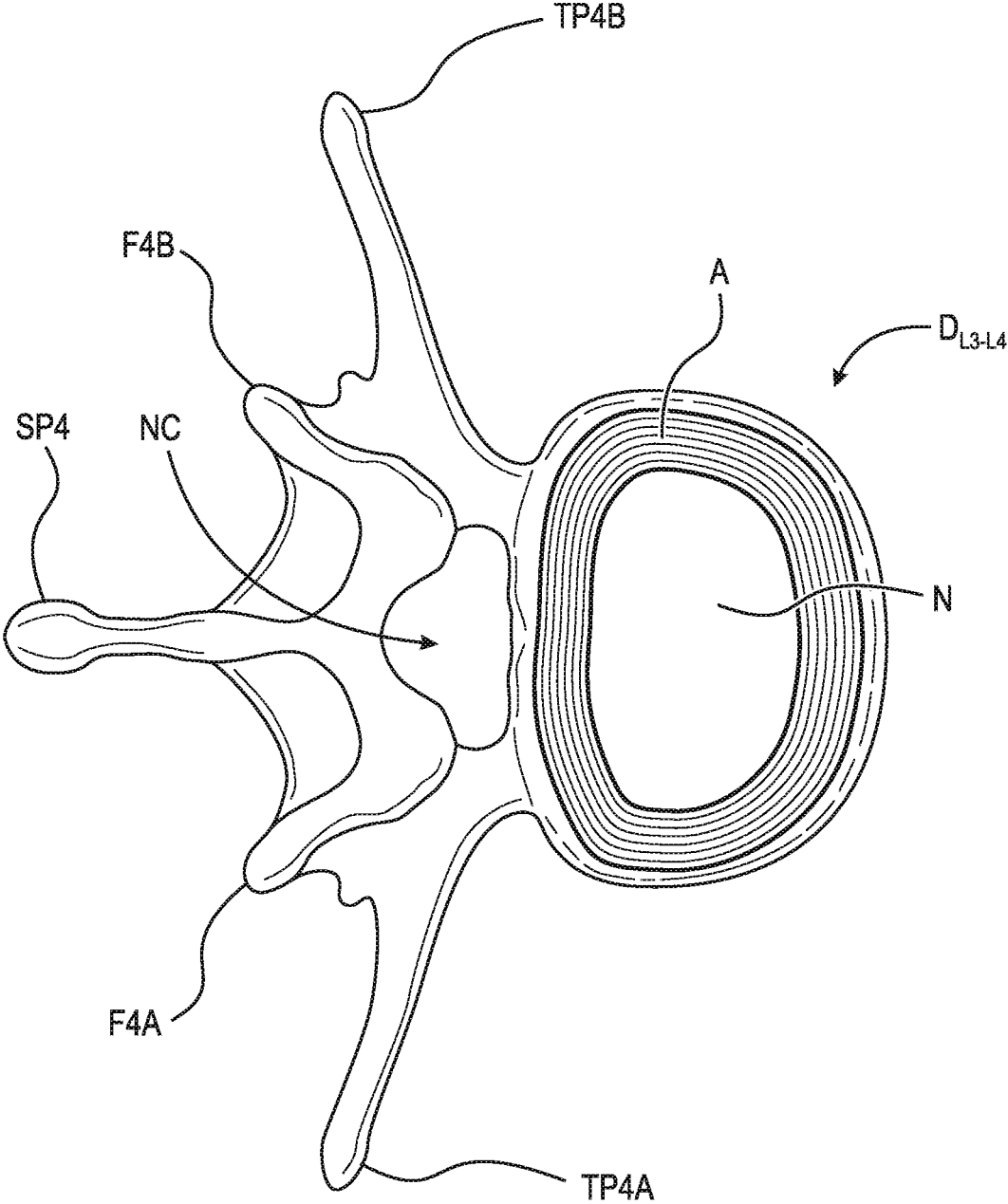


Fig. 4

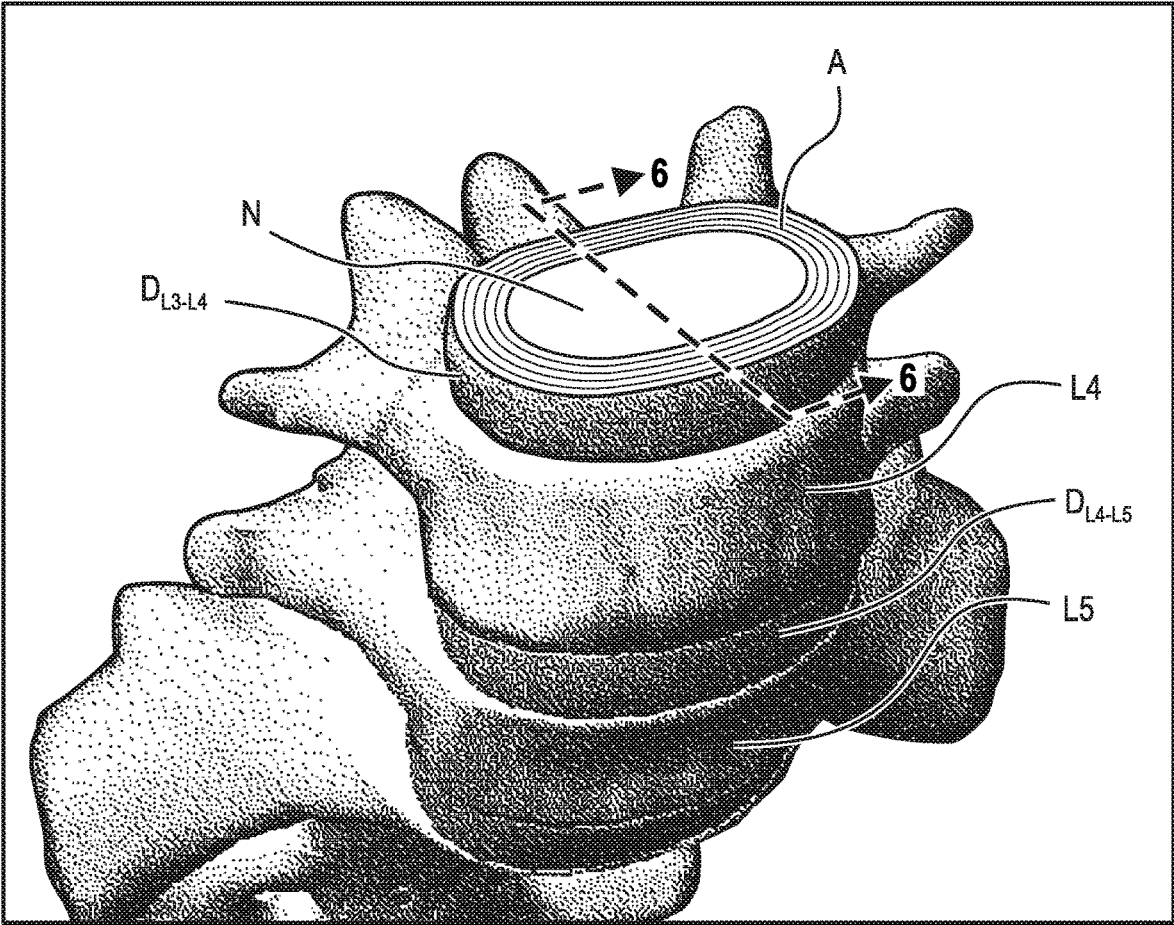


Fig. 5

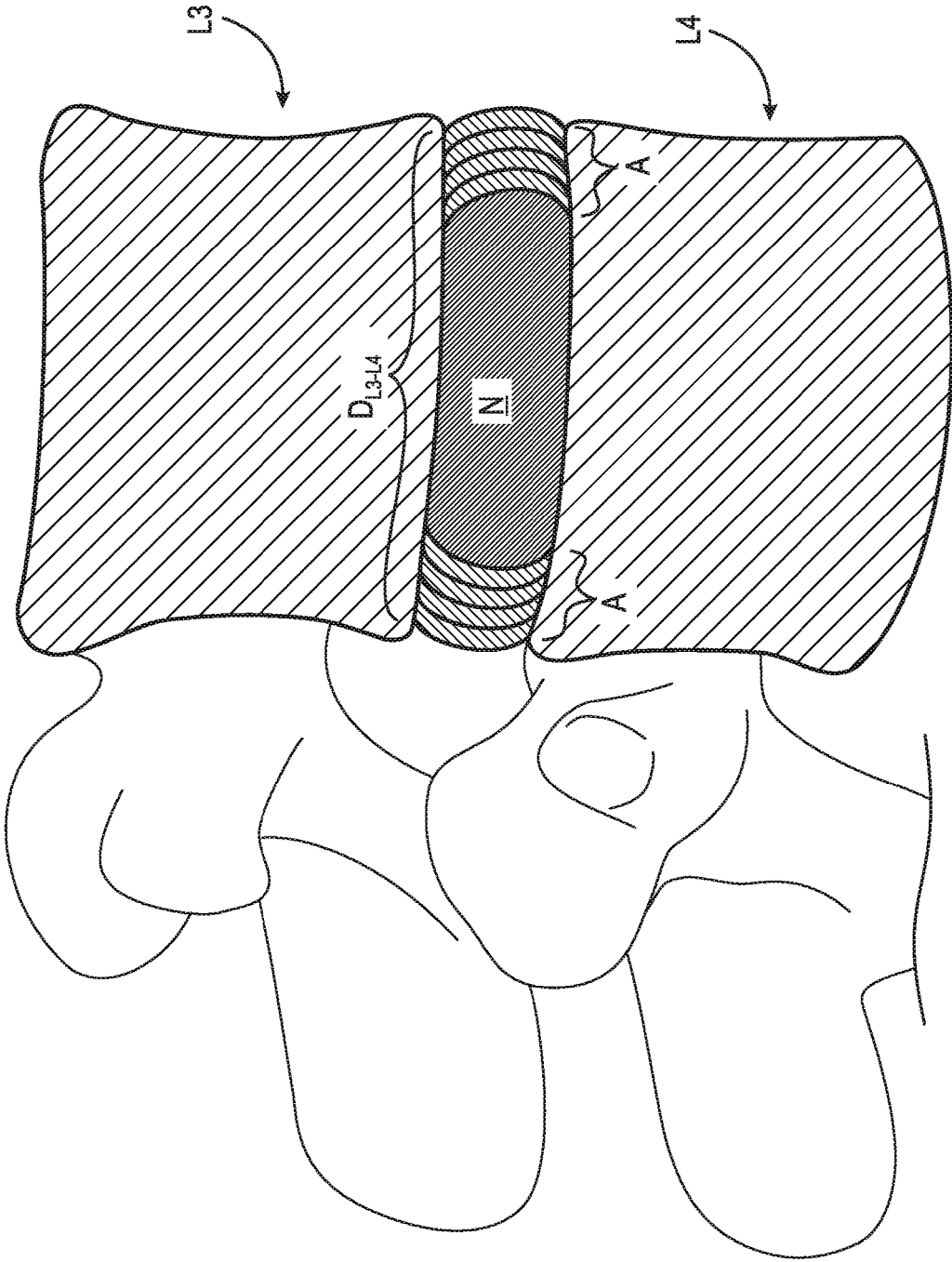


Fig. 6

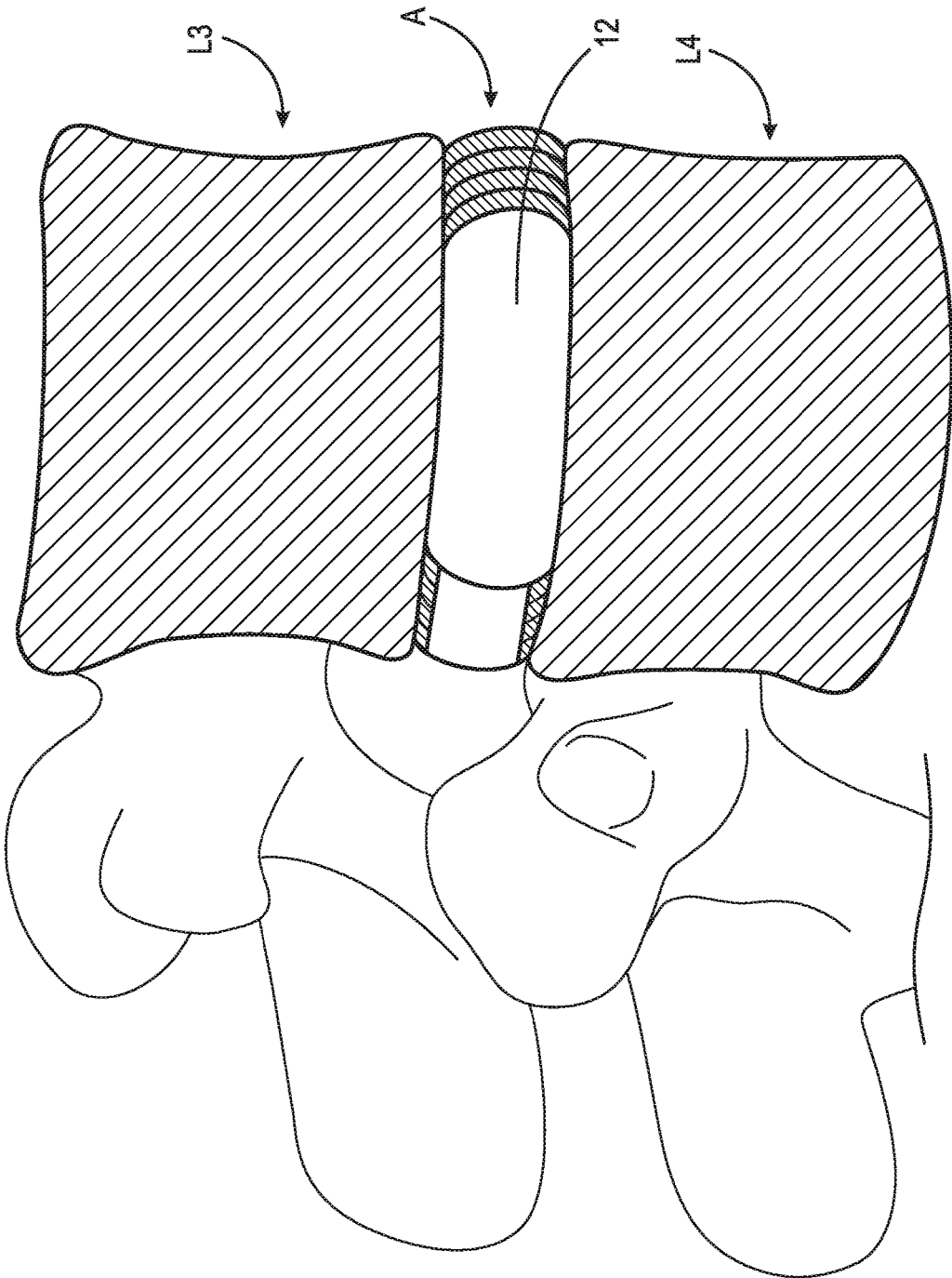


Fig. 7

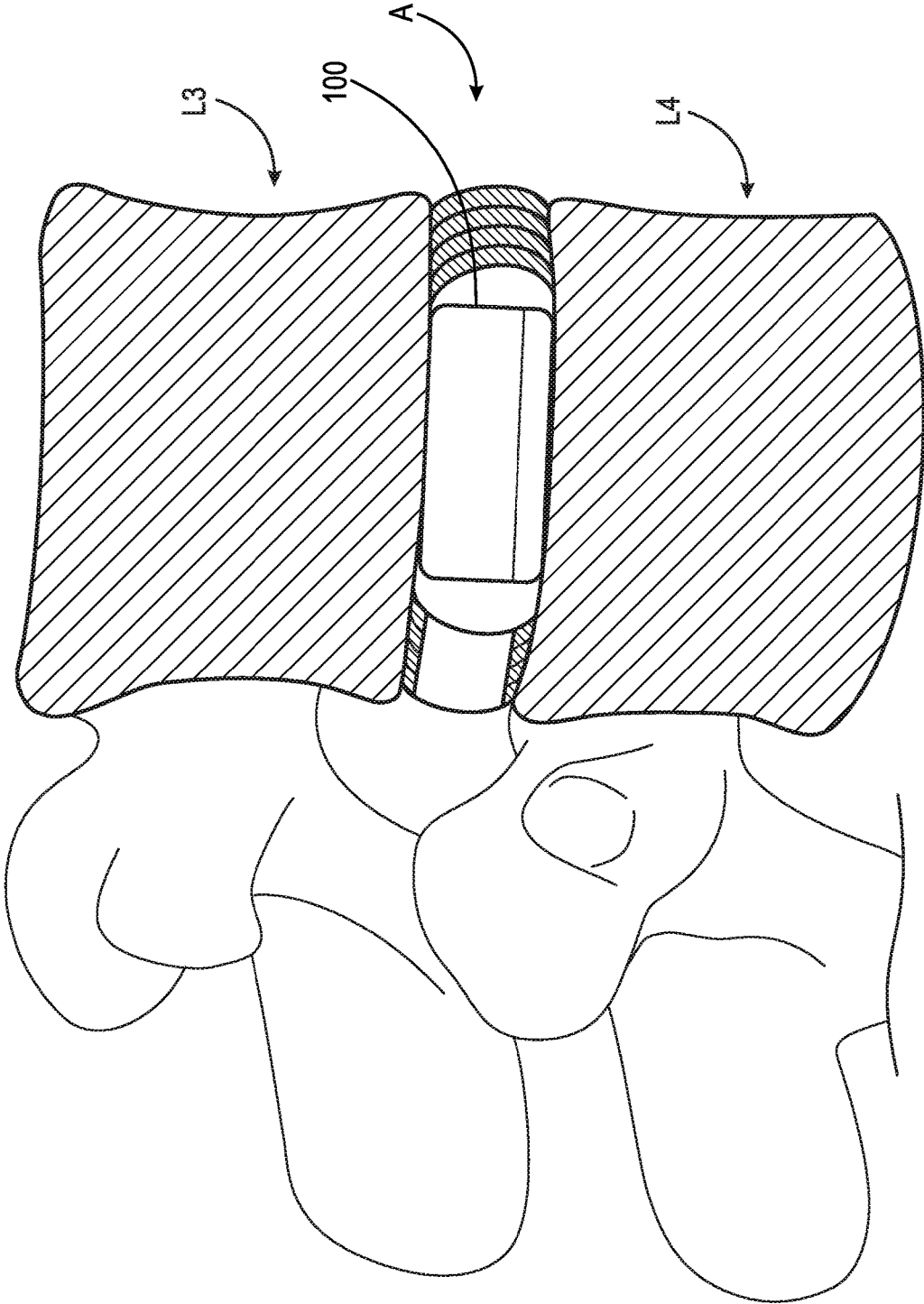
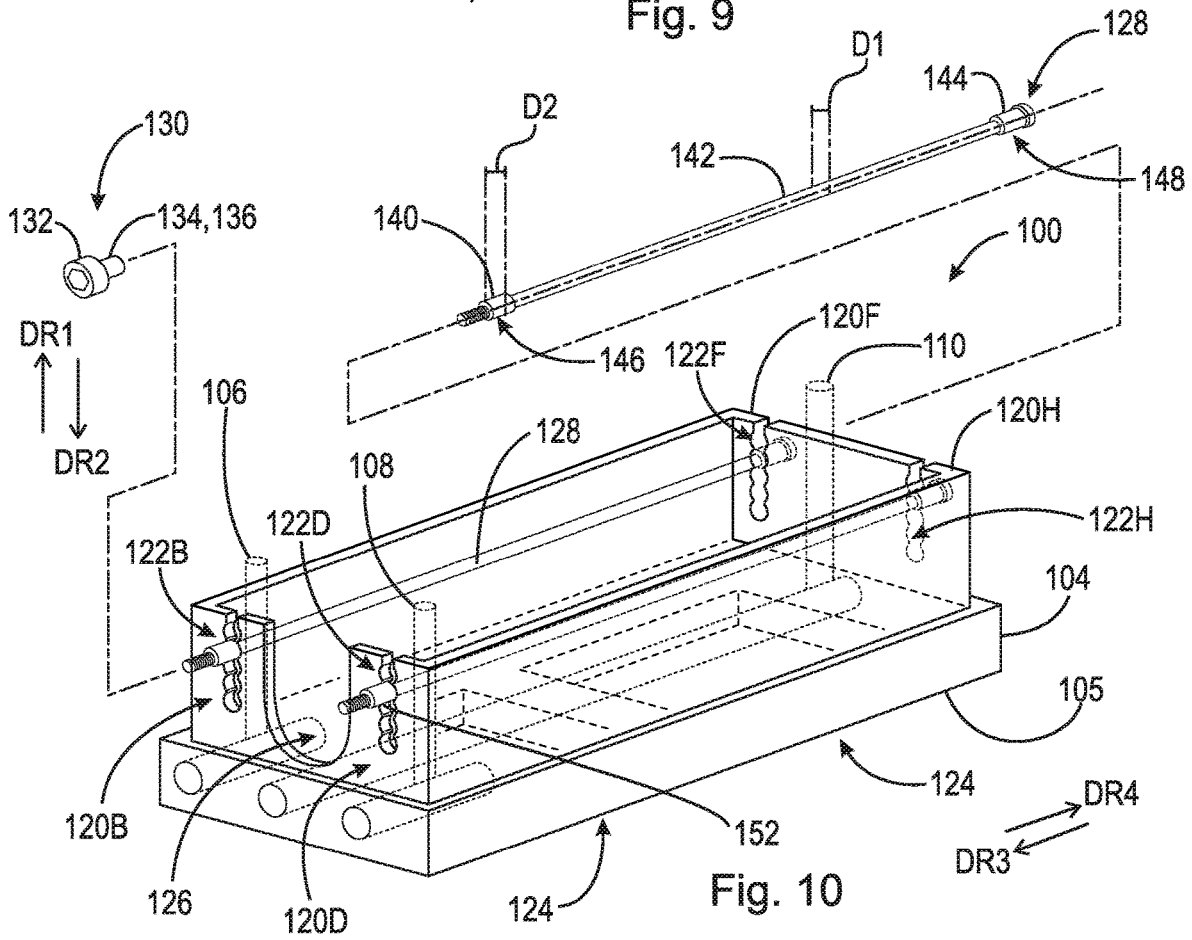
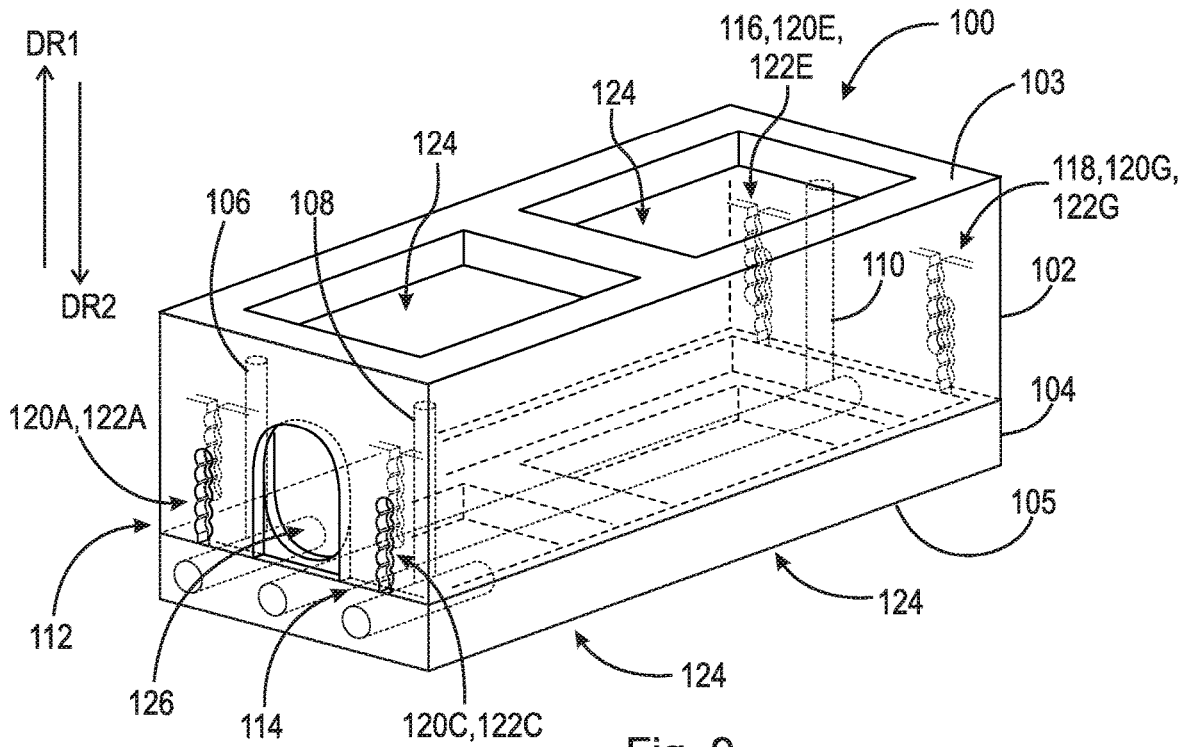


Fig. 8



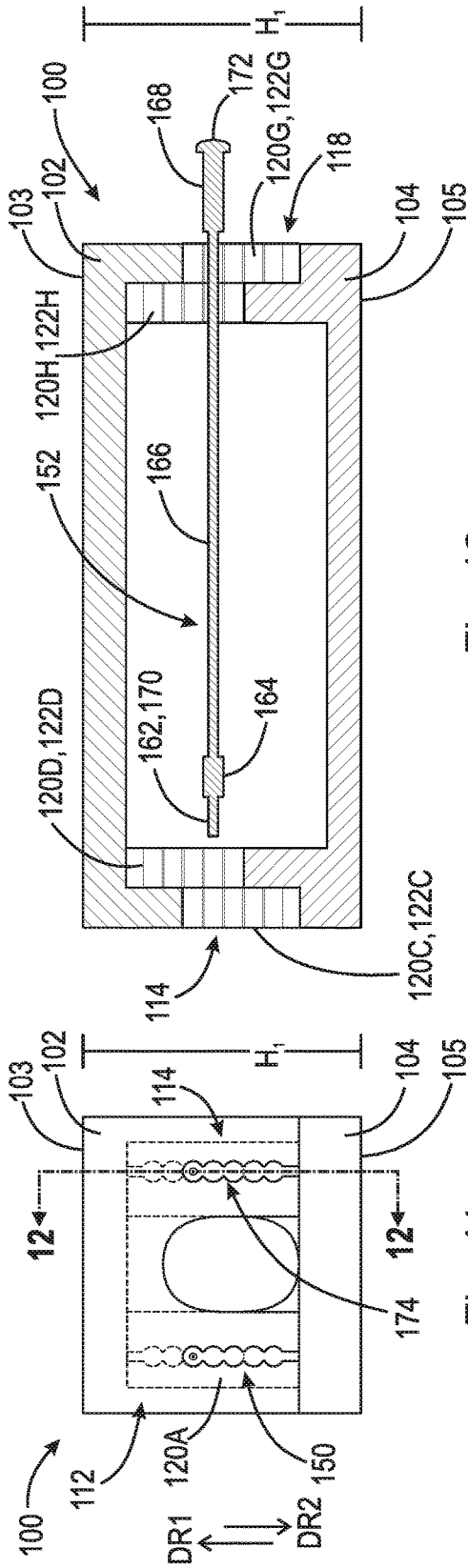


Fig. 12

Fig. 11

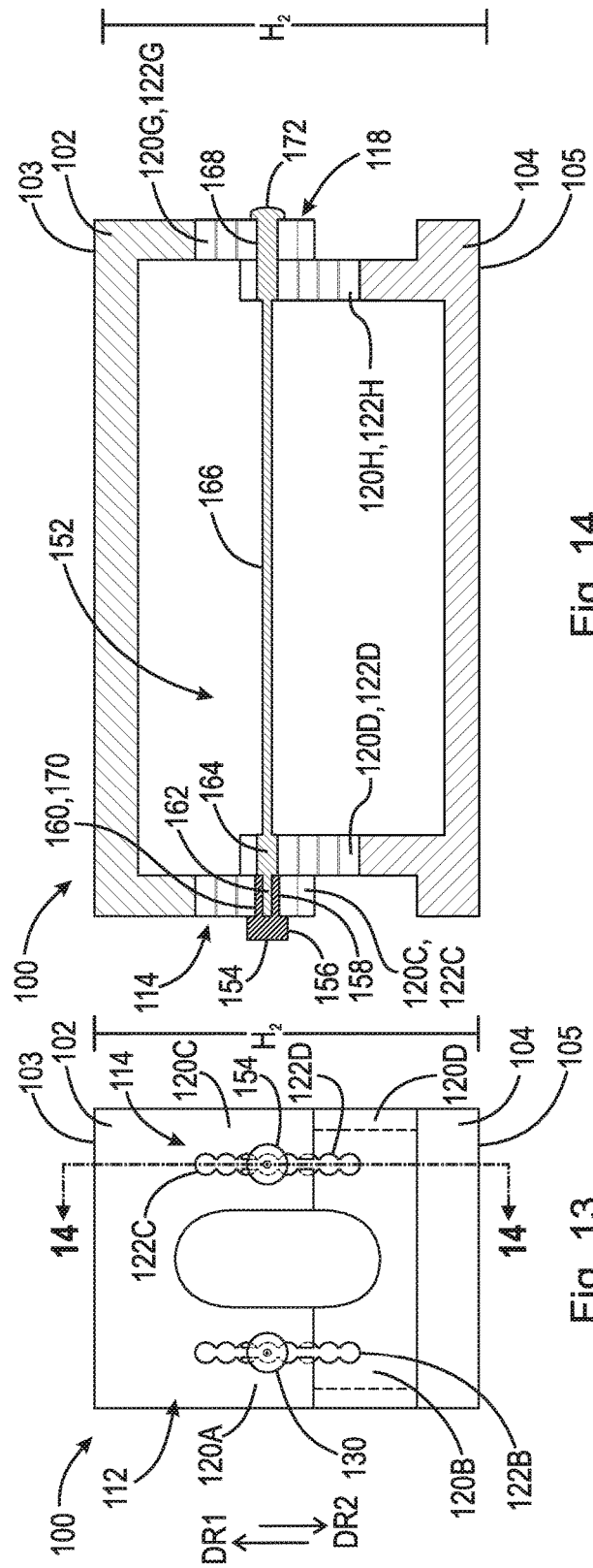


Fig. 14

Fig. 13

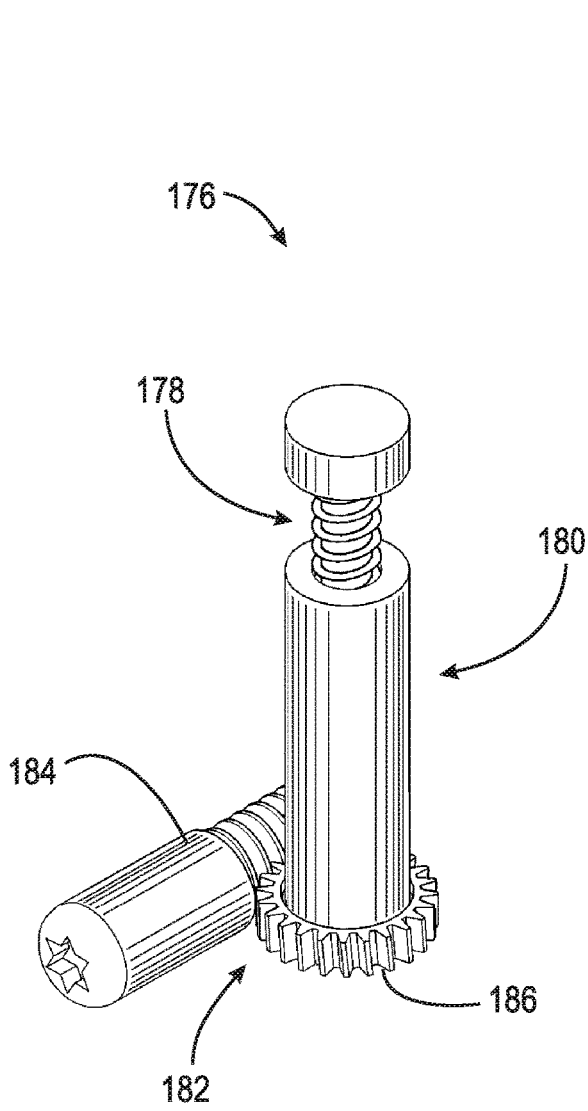


Fig. 15A

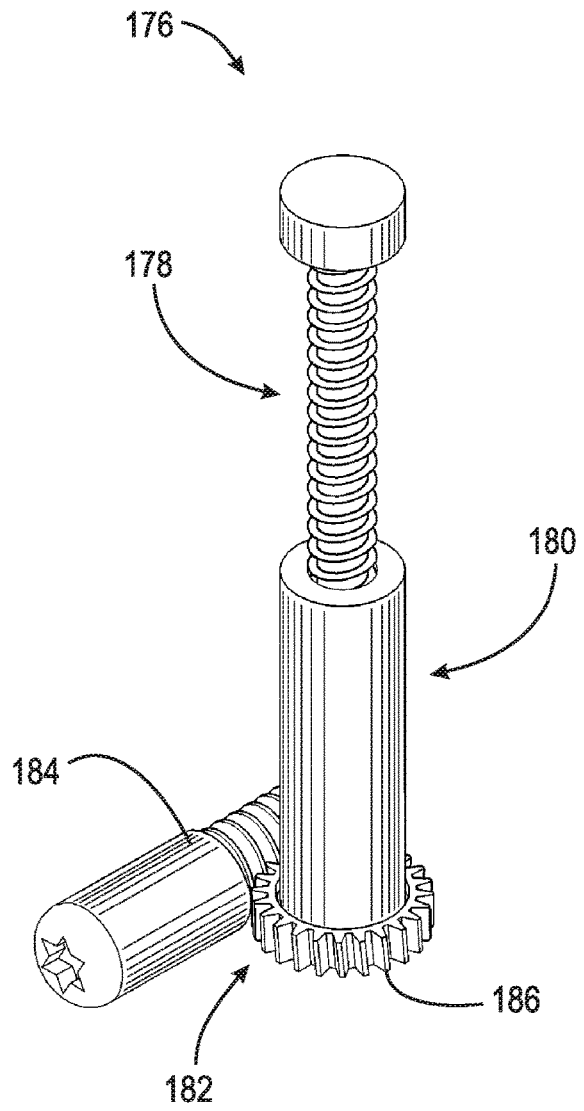


Fig. 15B

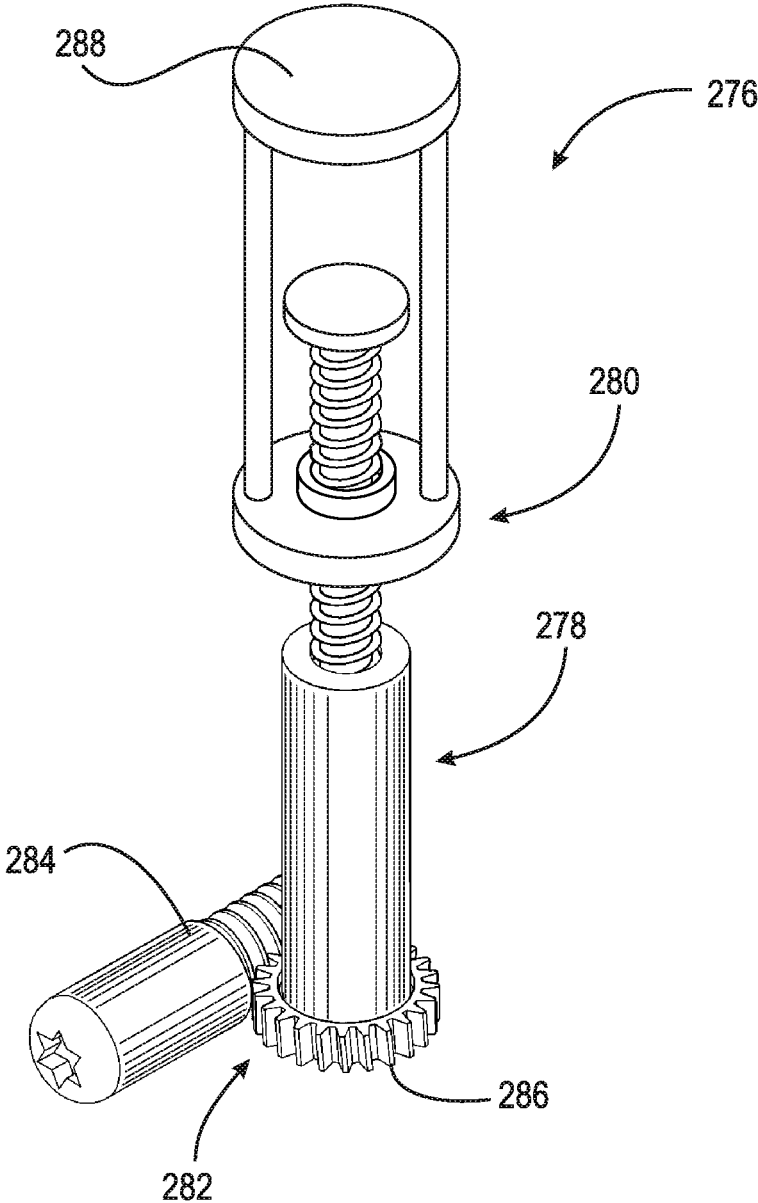


Fig. 16

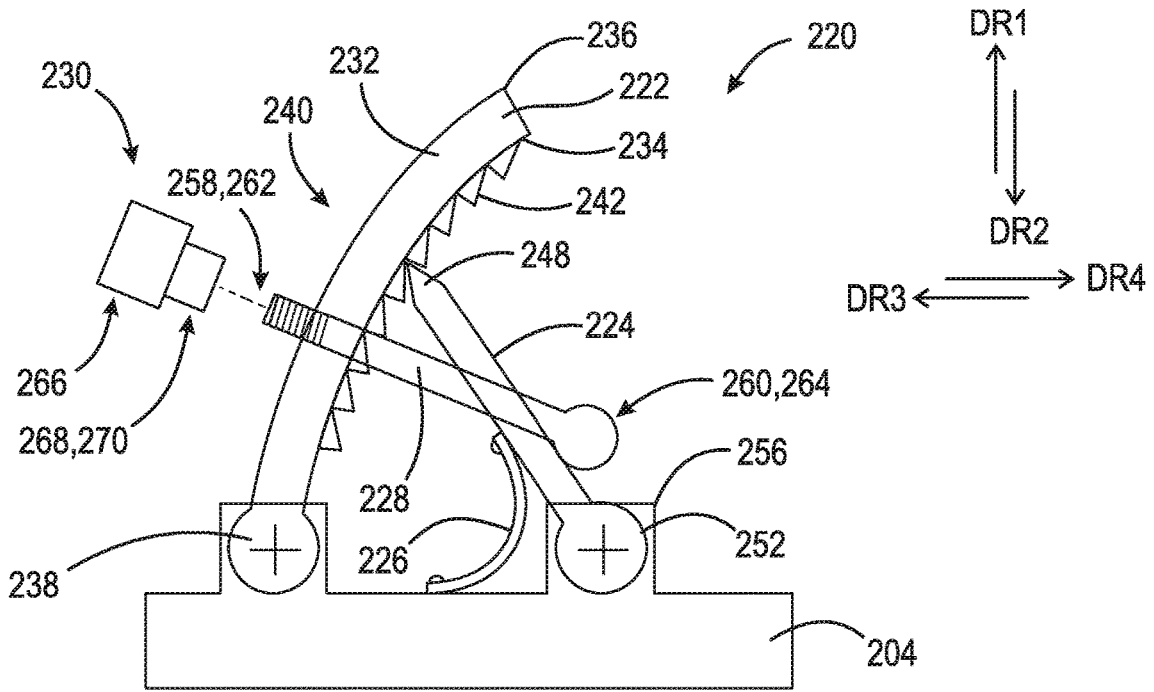


Fig. 17

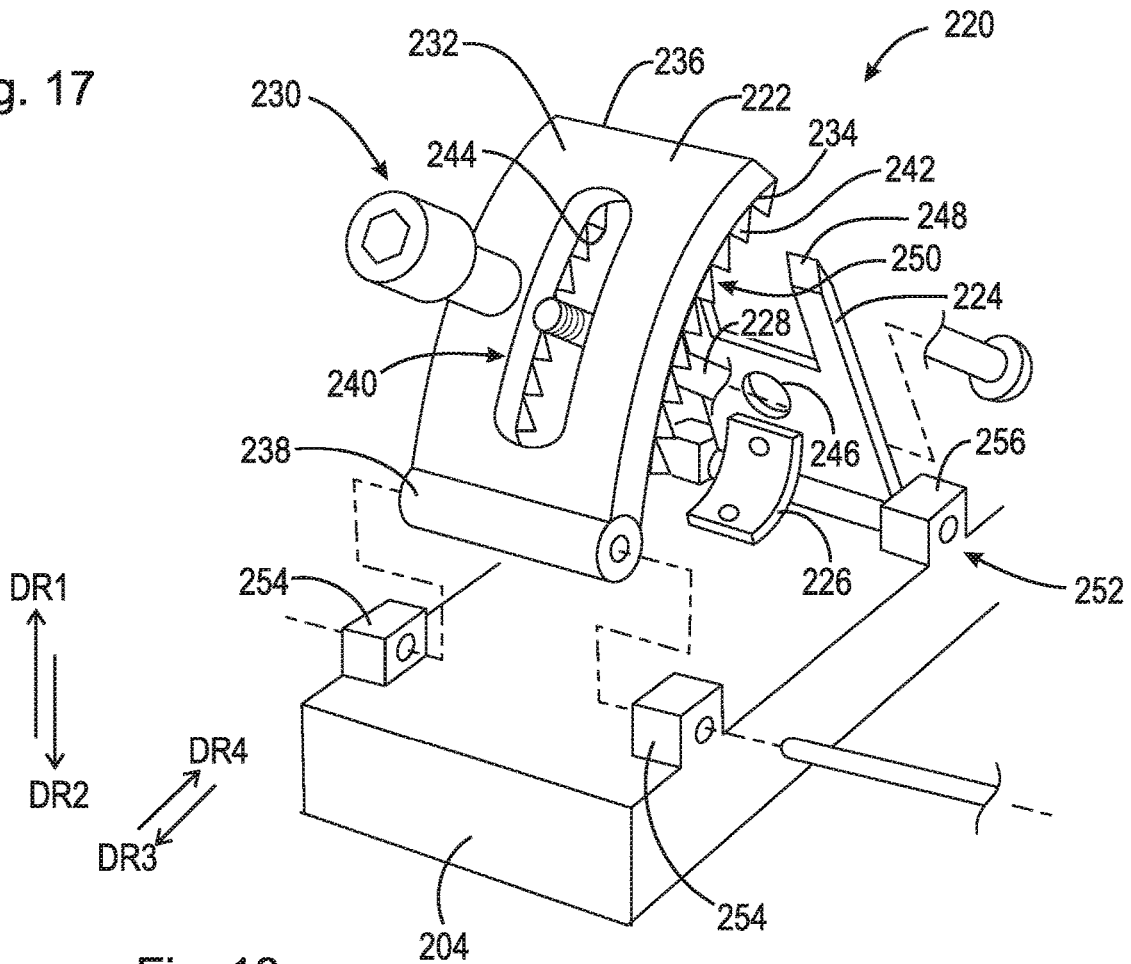


Fig. 18

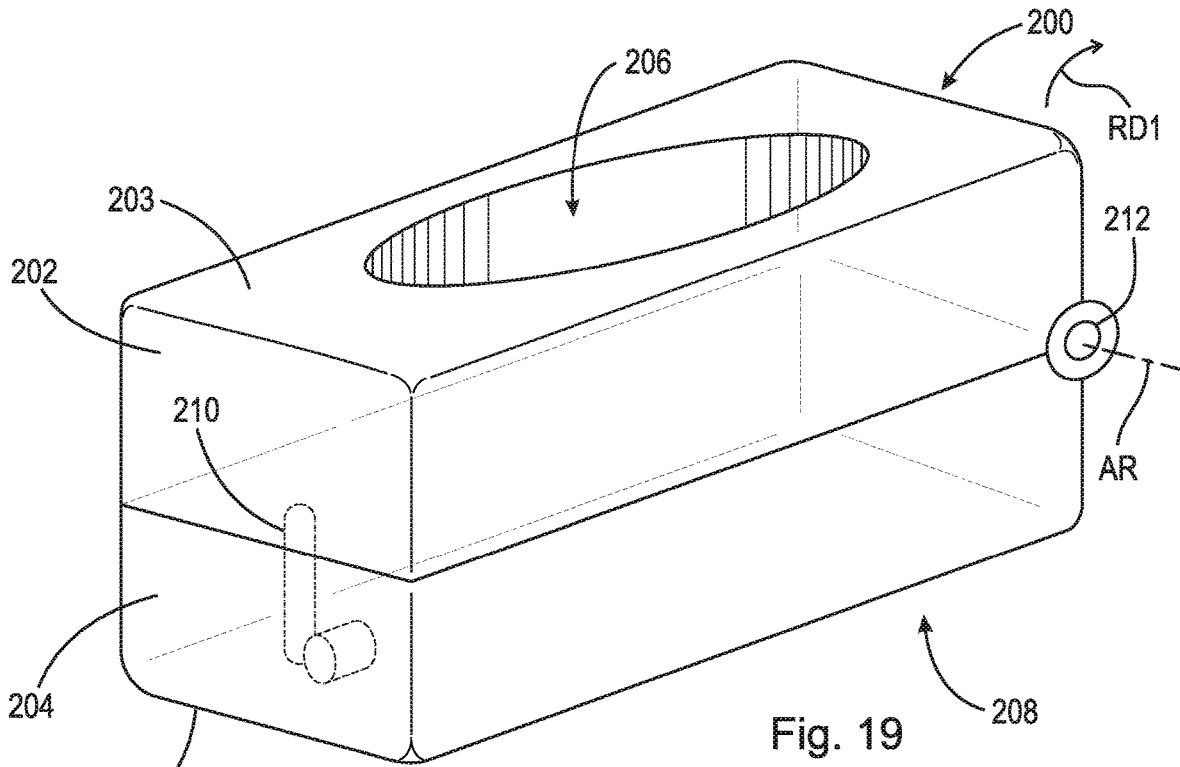


Fig. 19

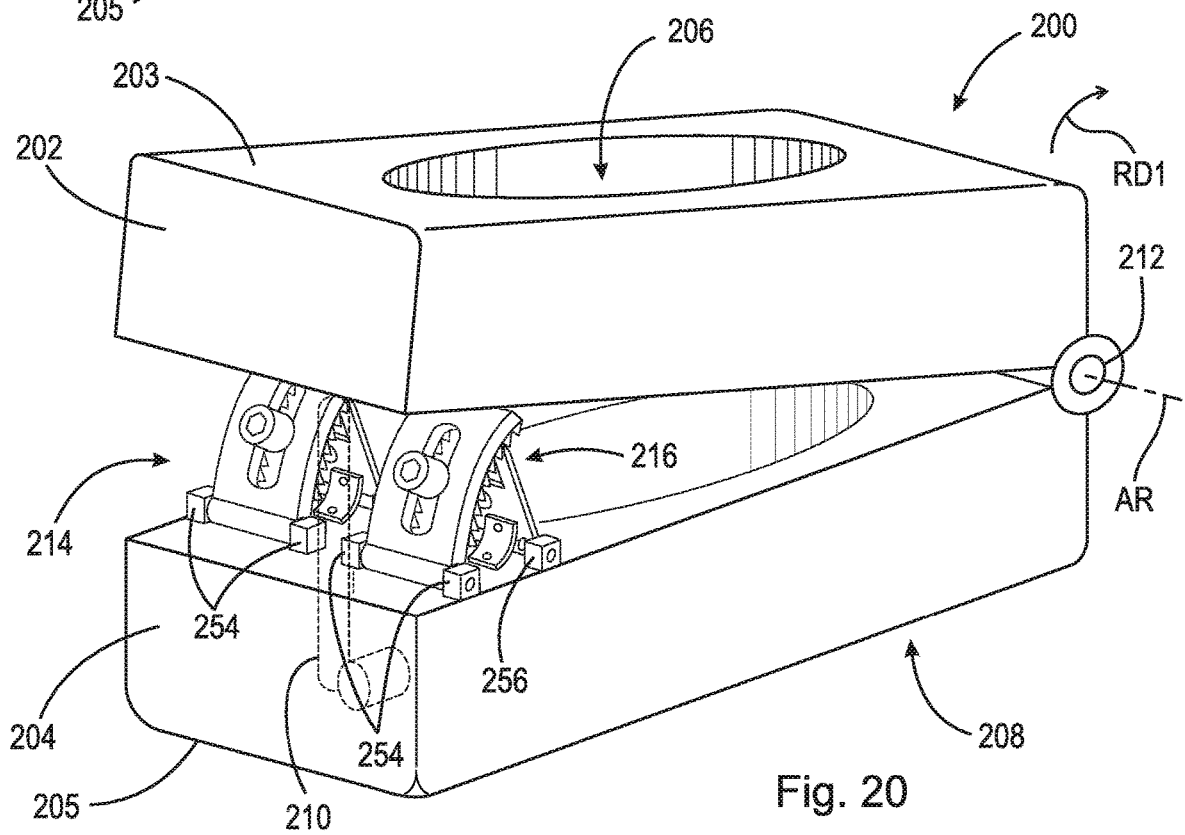
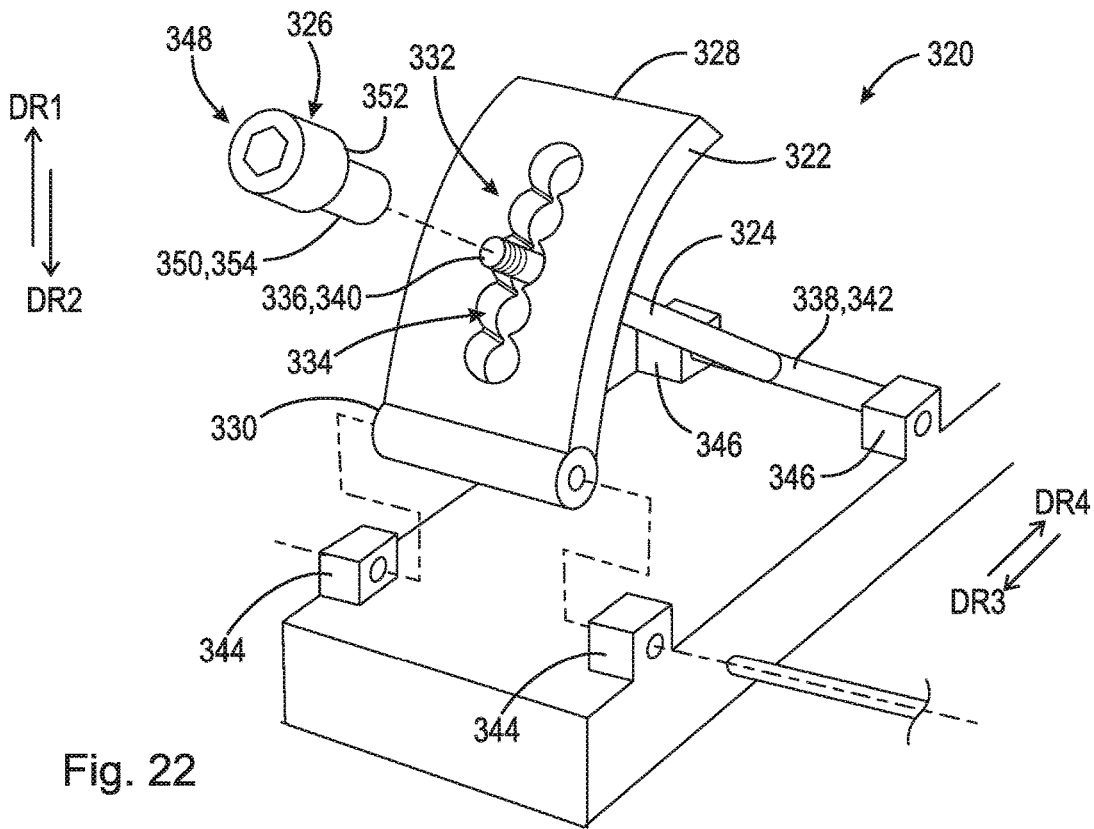
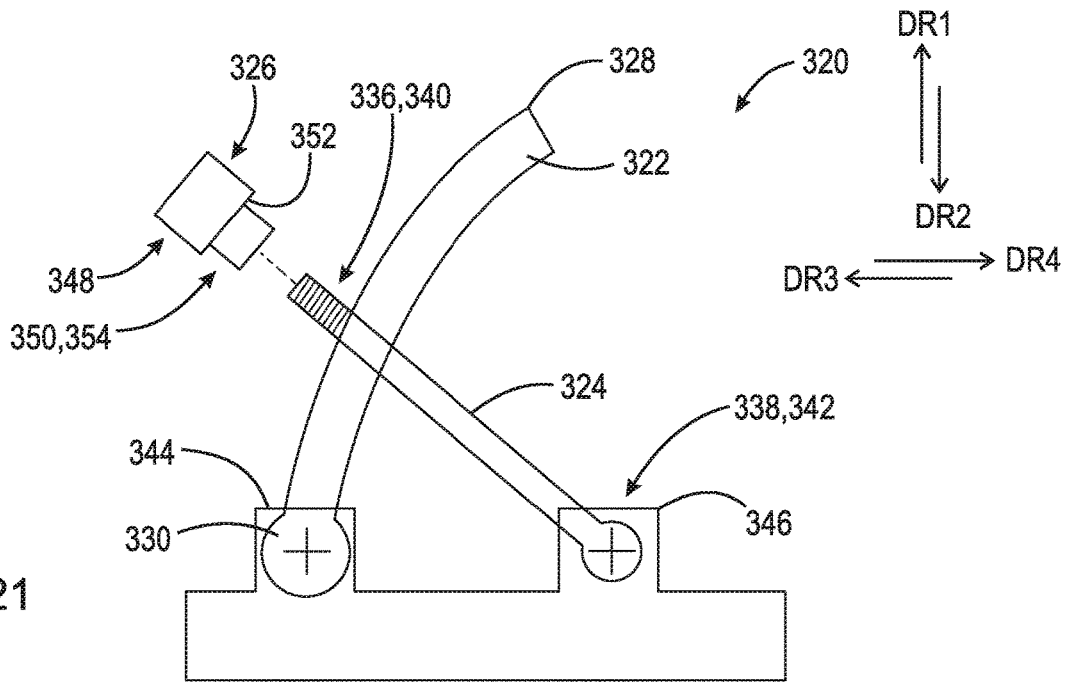
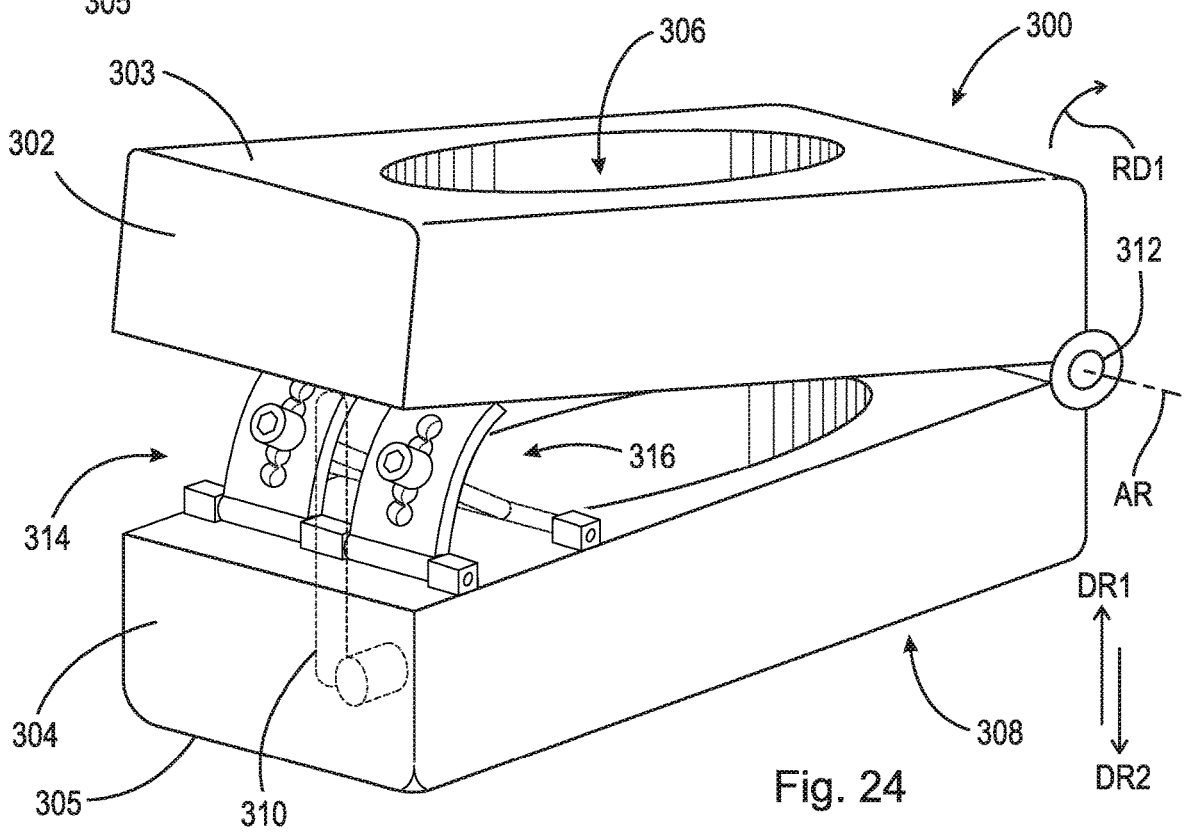
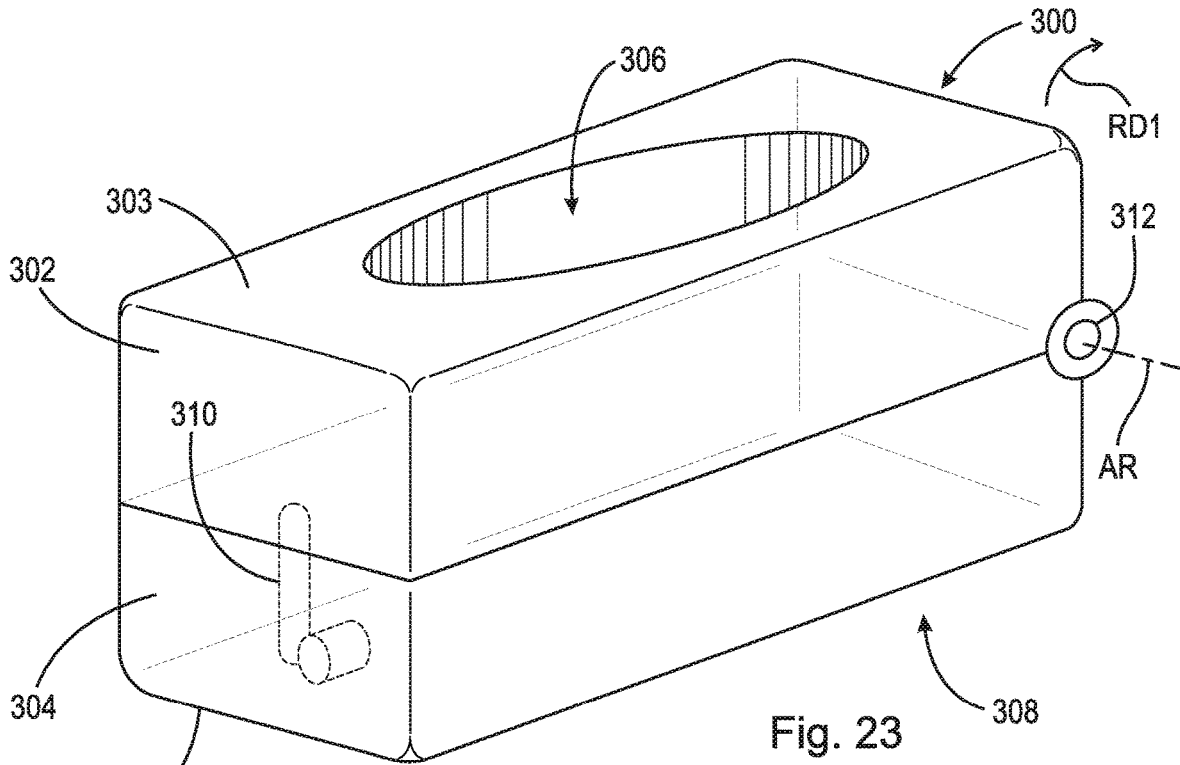


Fig. 20





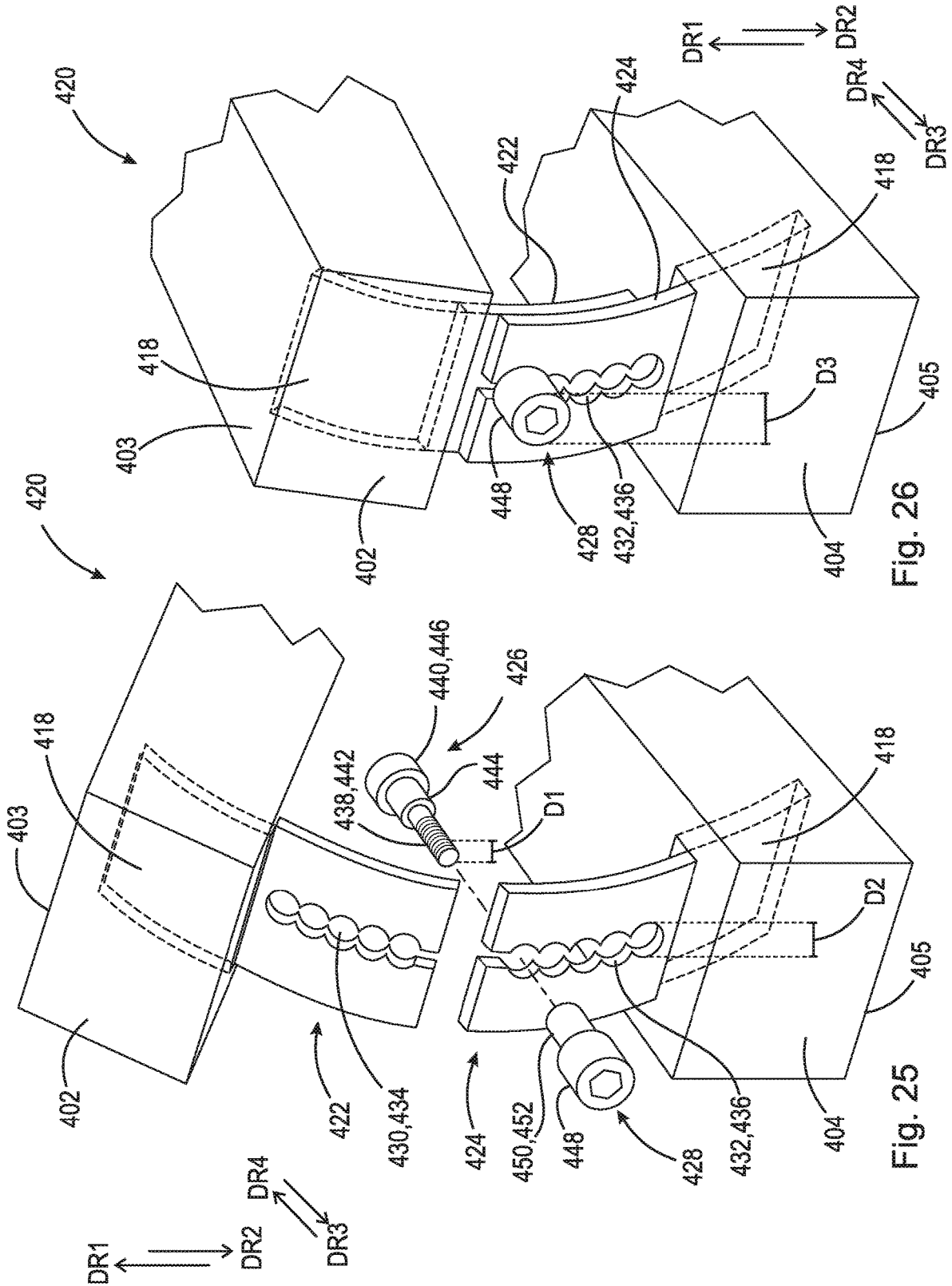
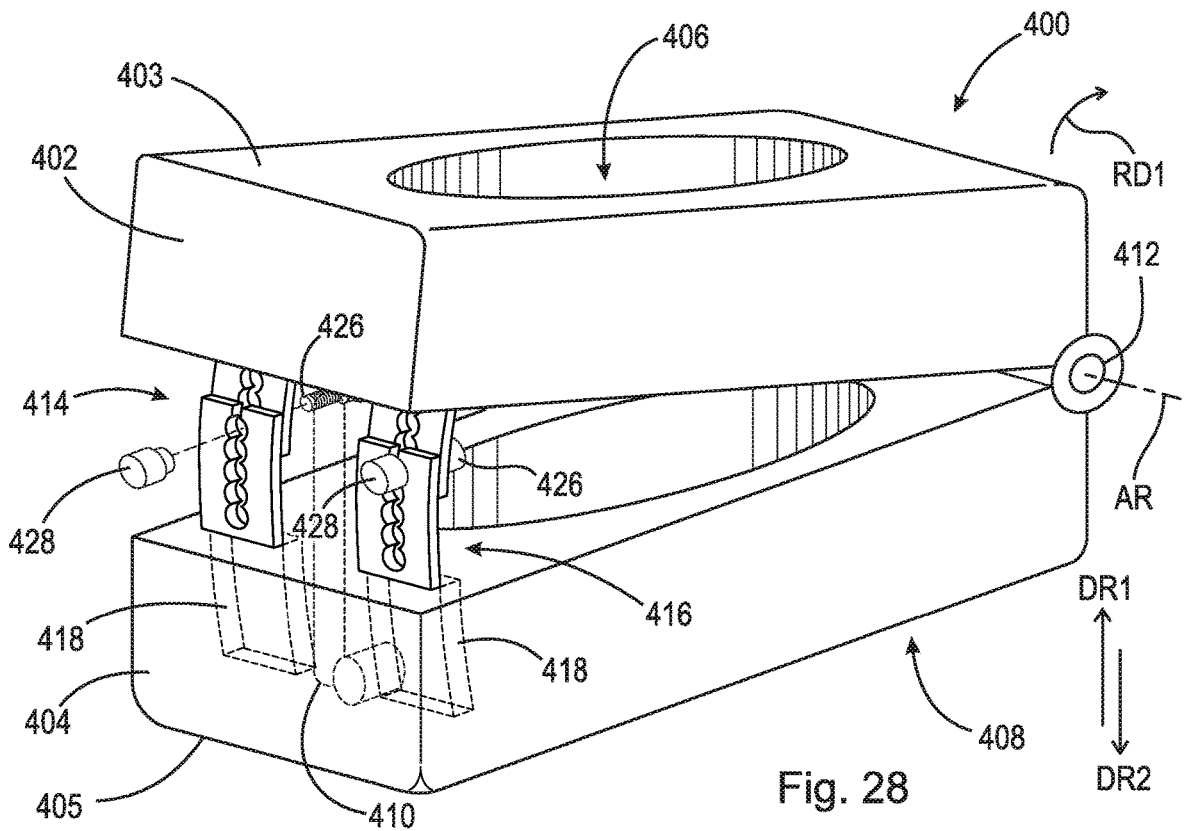
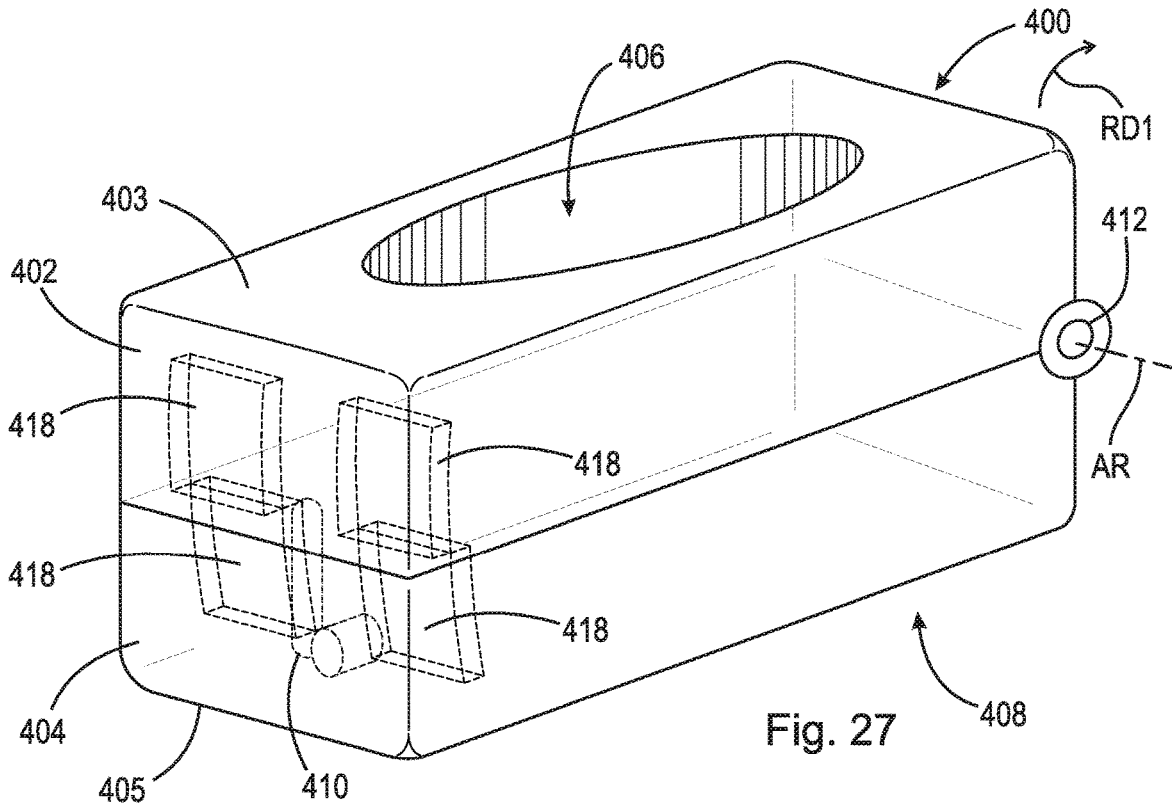
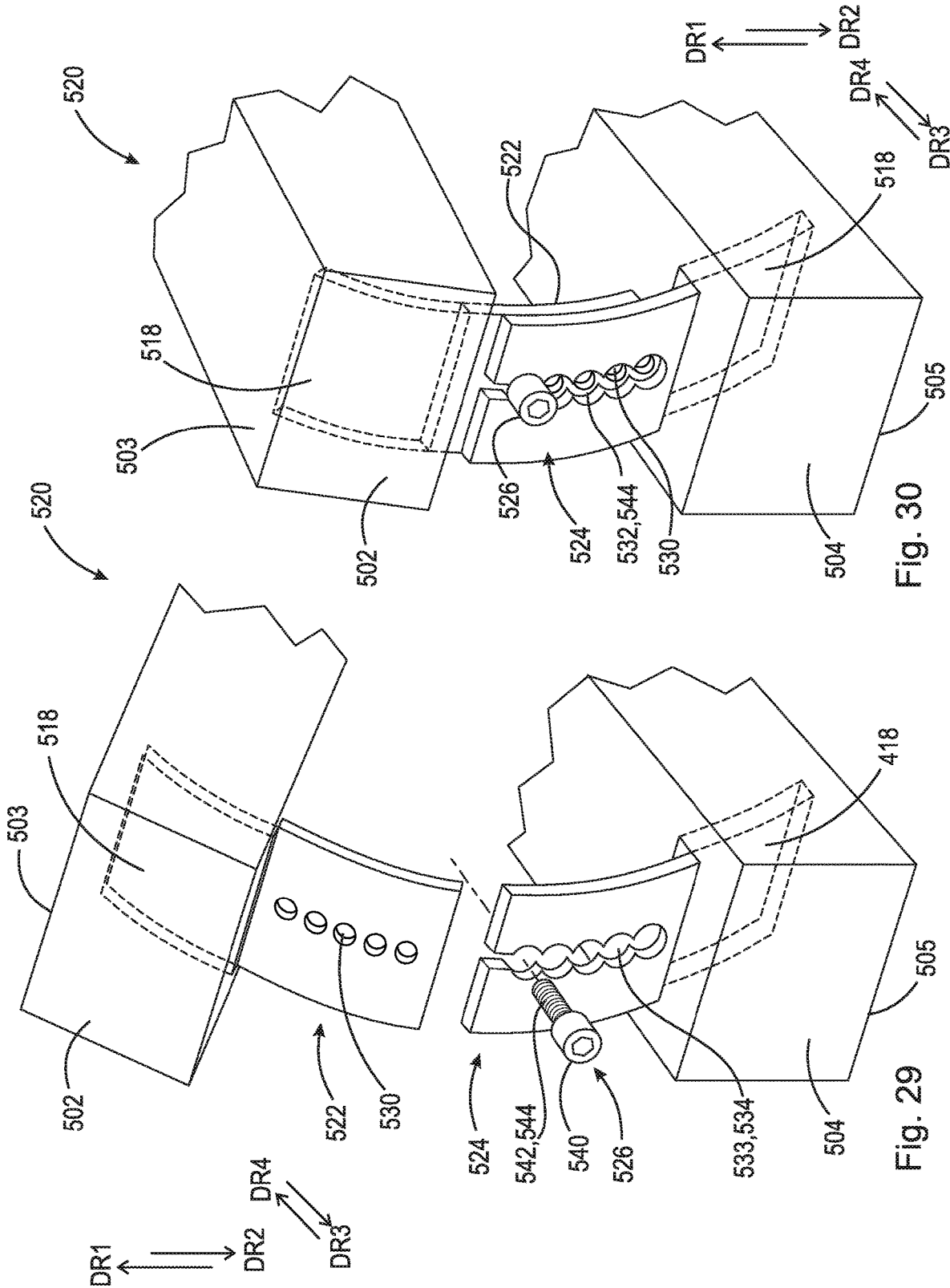
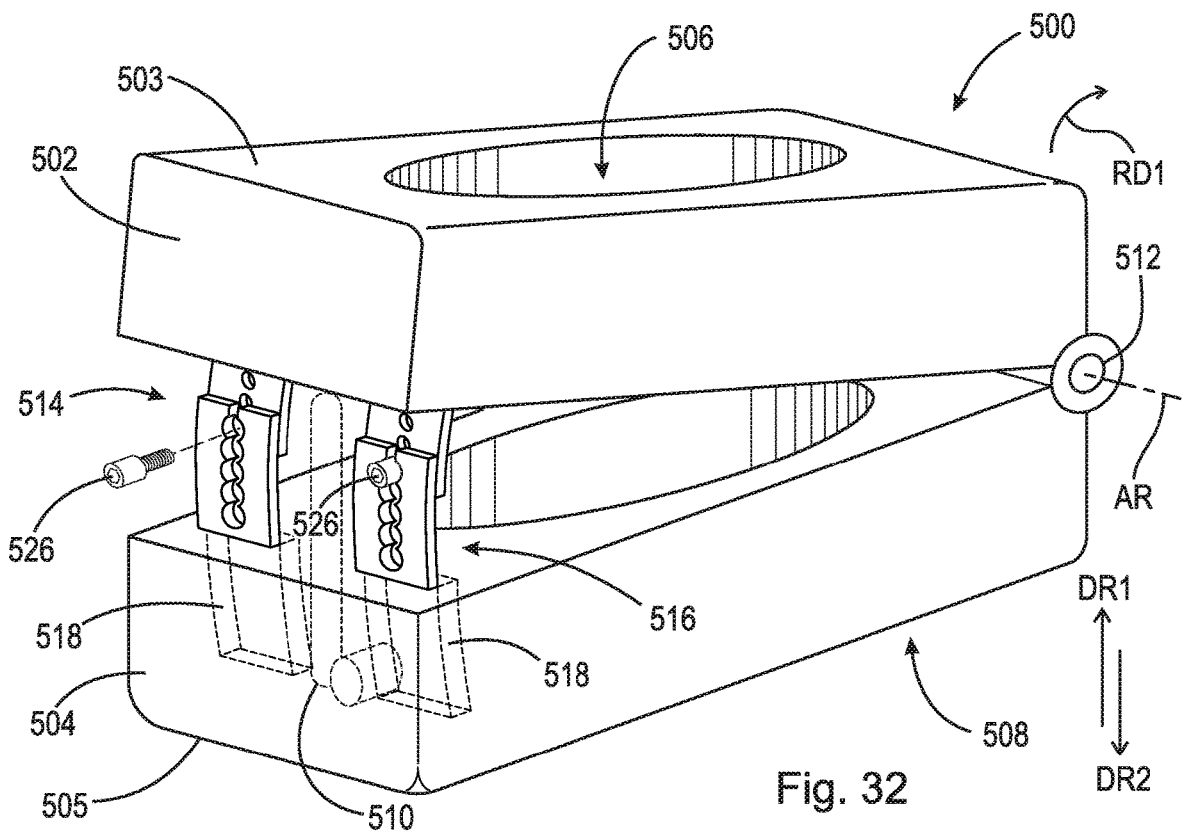
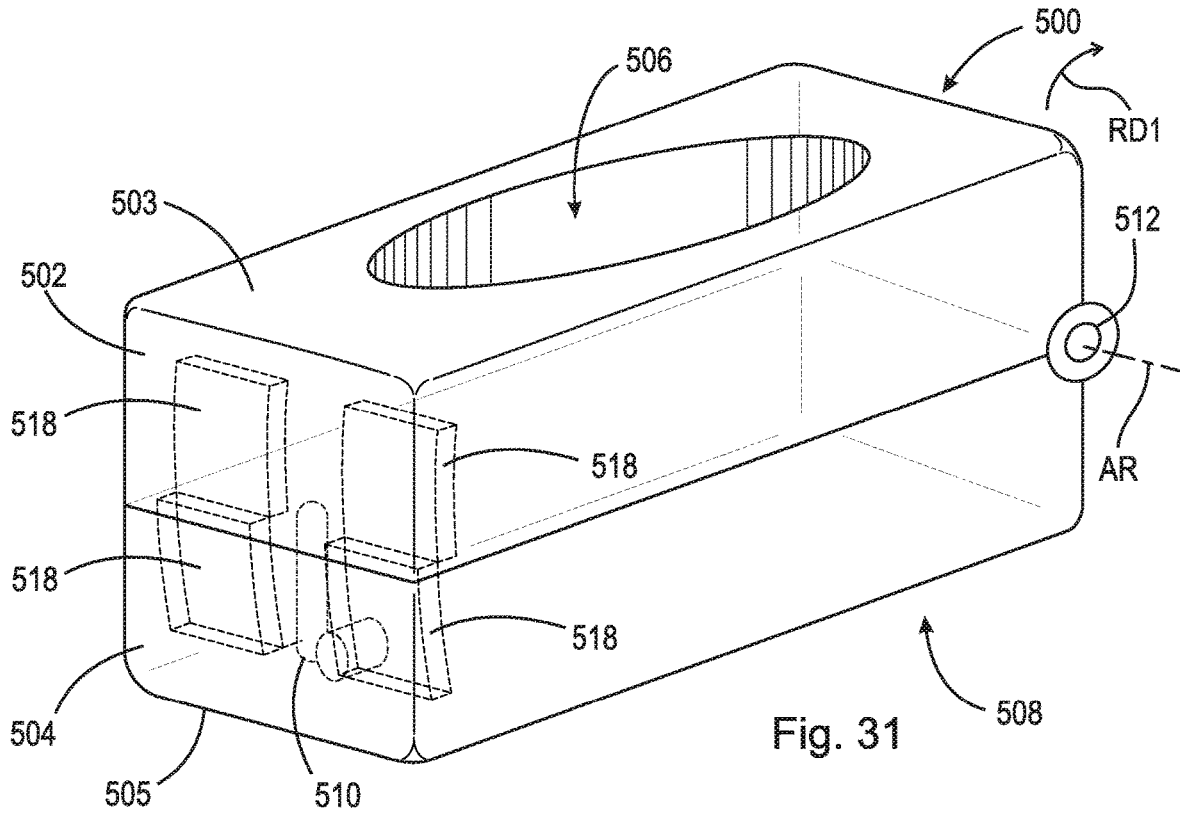


Fig. 26

Fig. 25







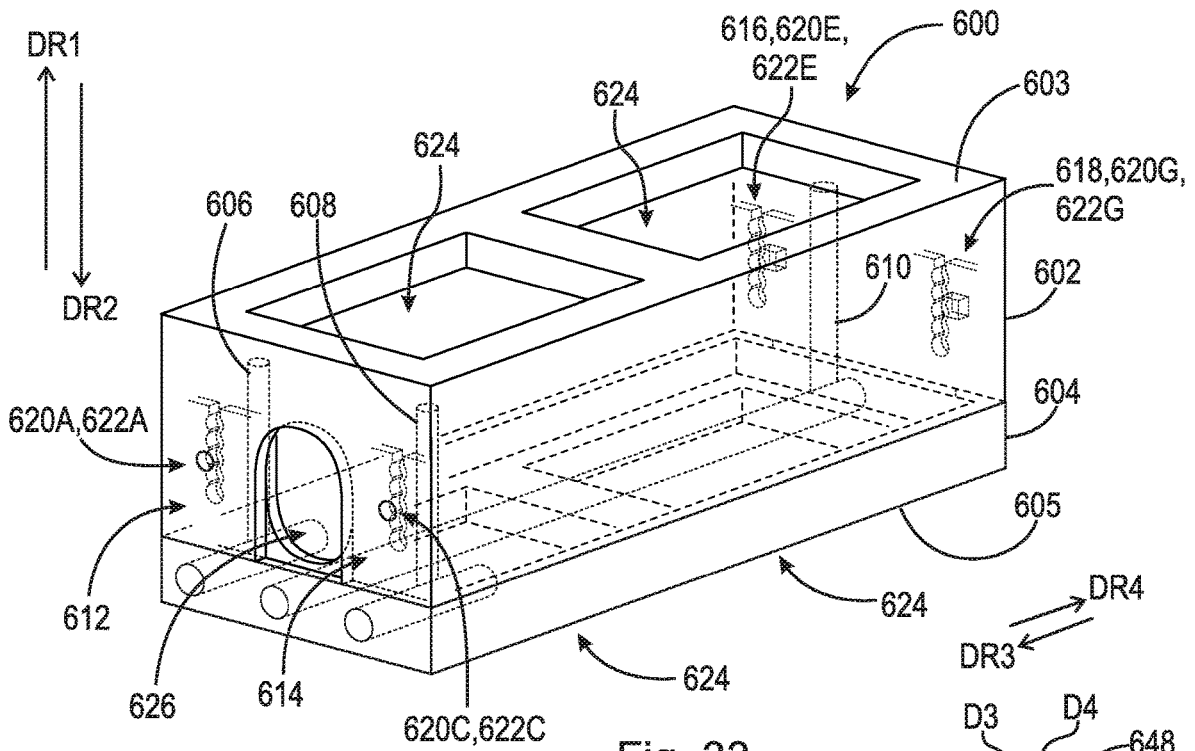


Fig. 33

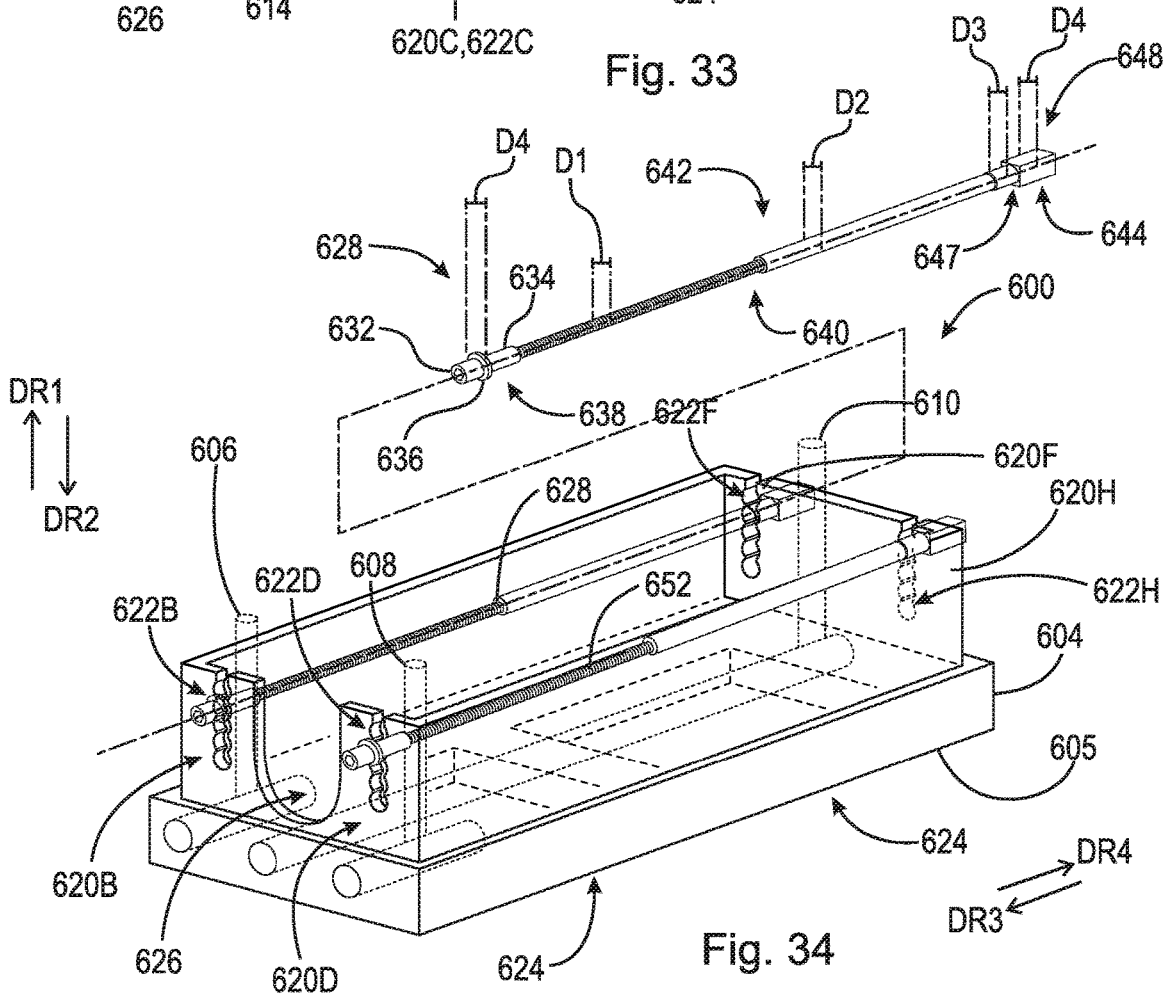


Fig. 34

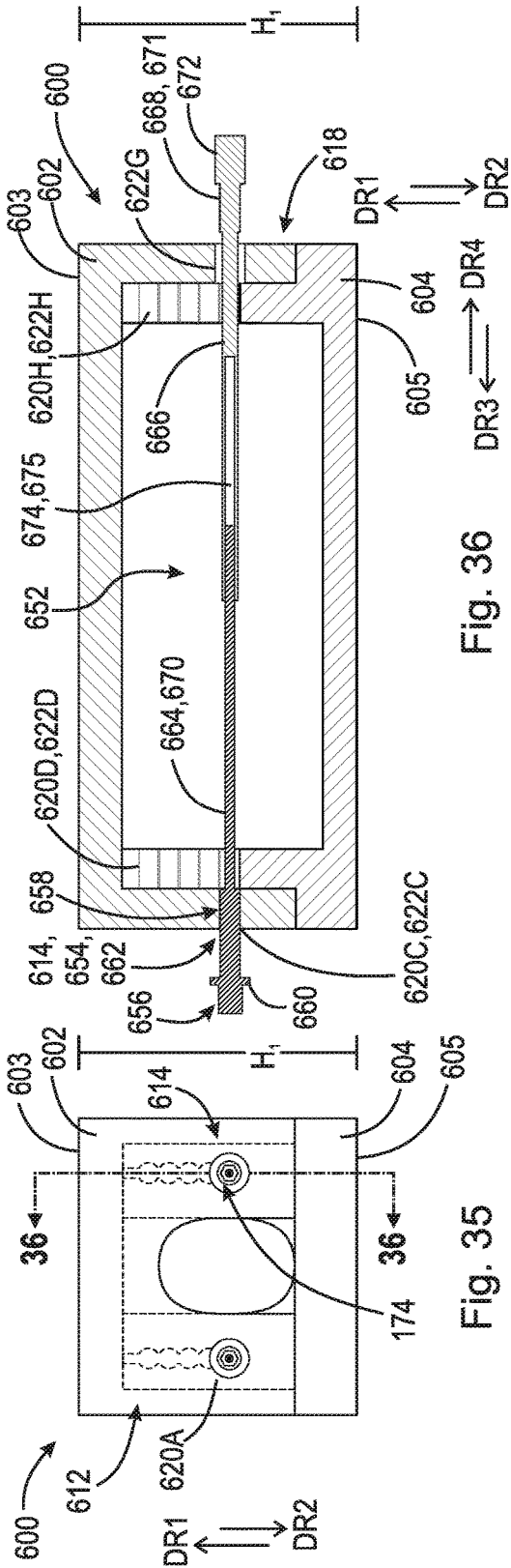


Fig. 36

Fig. 35

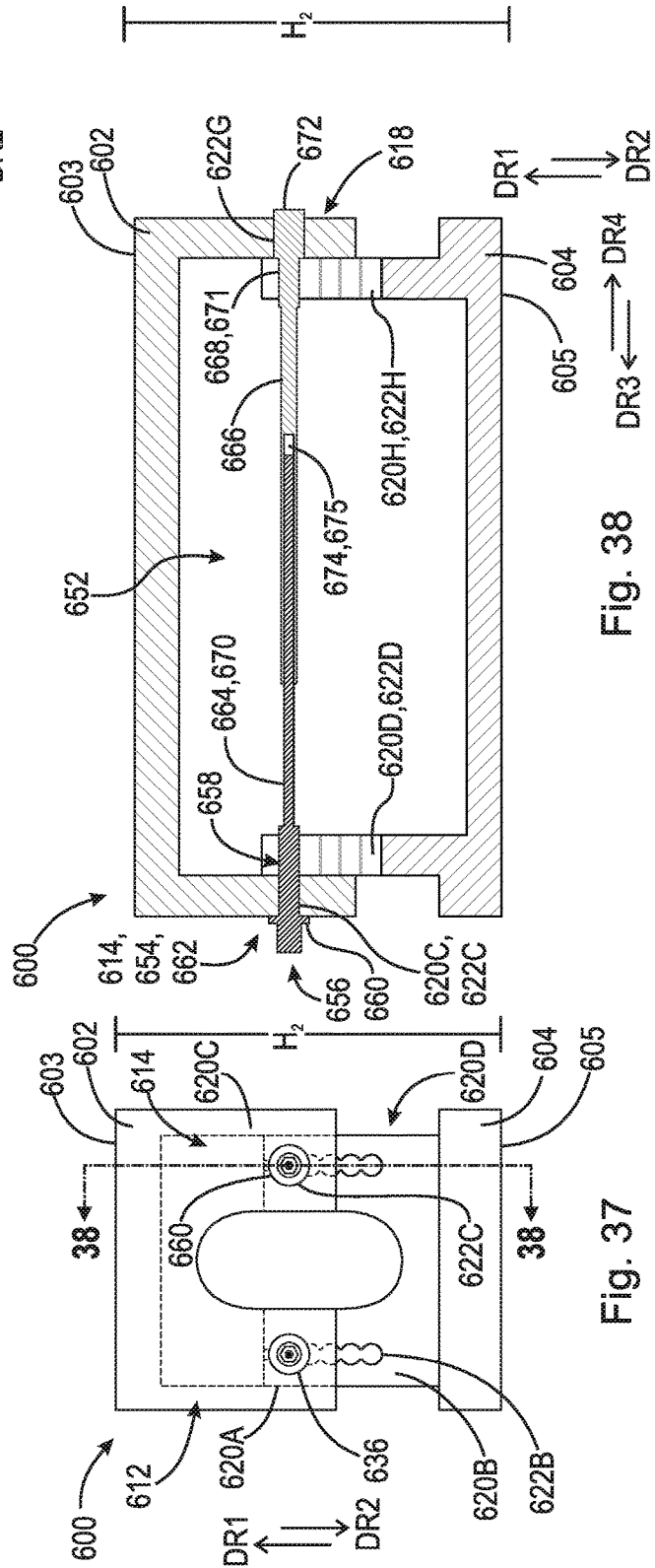


Fig. 37

Fig. 38

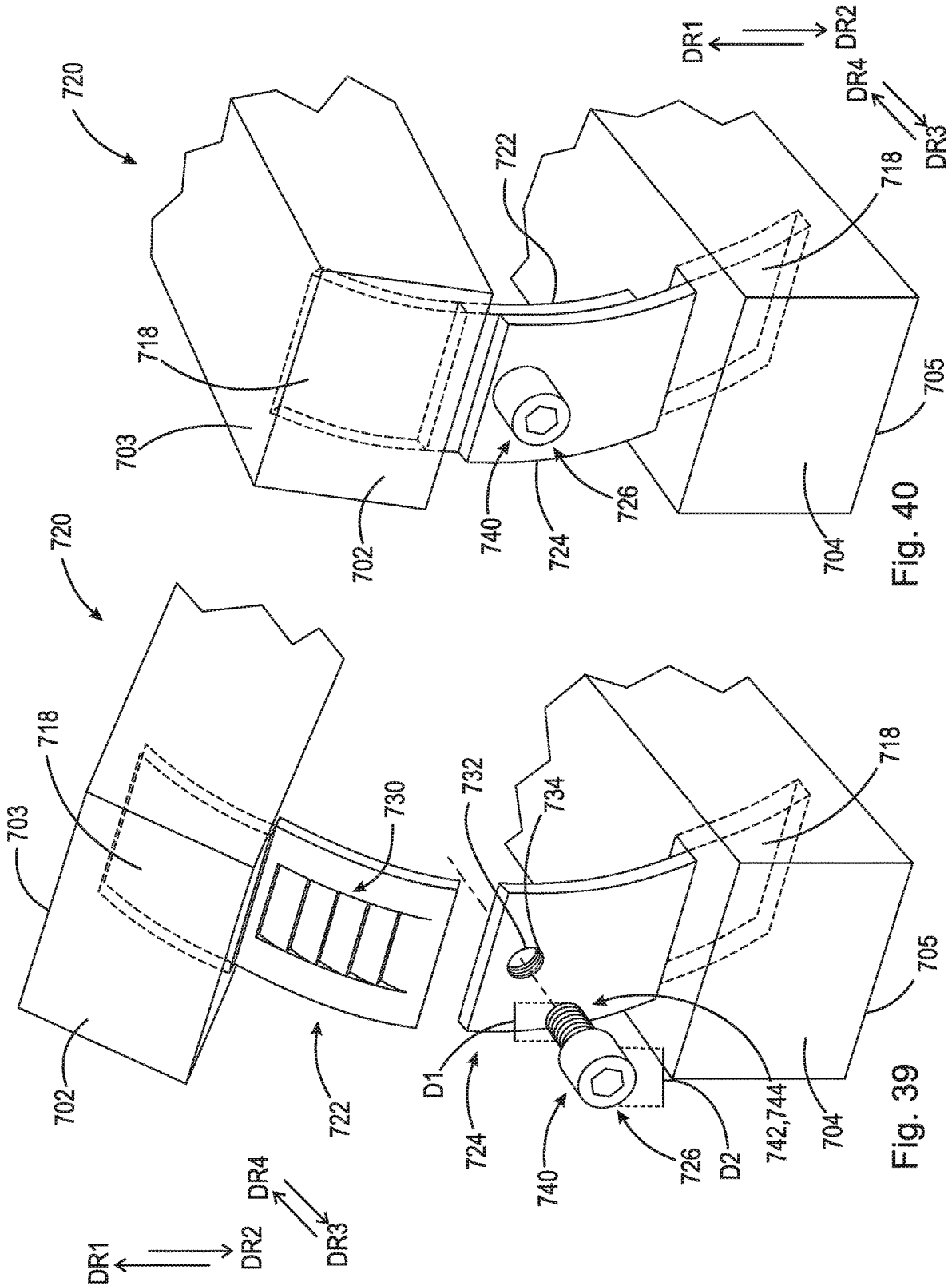
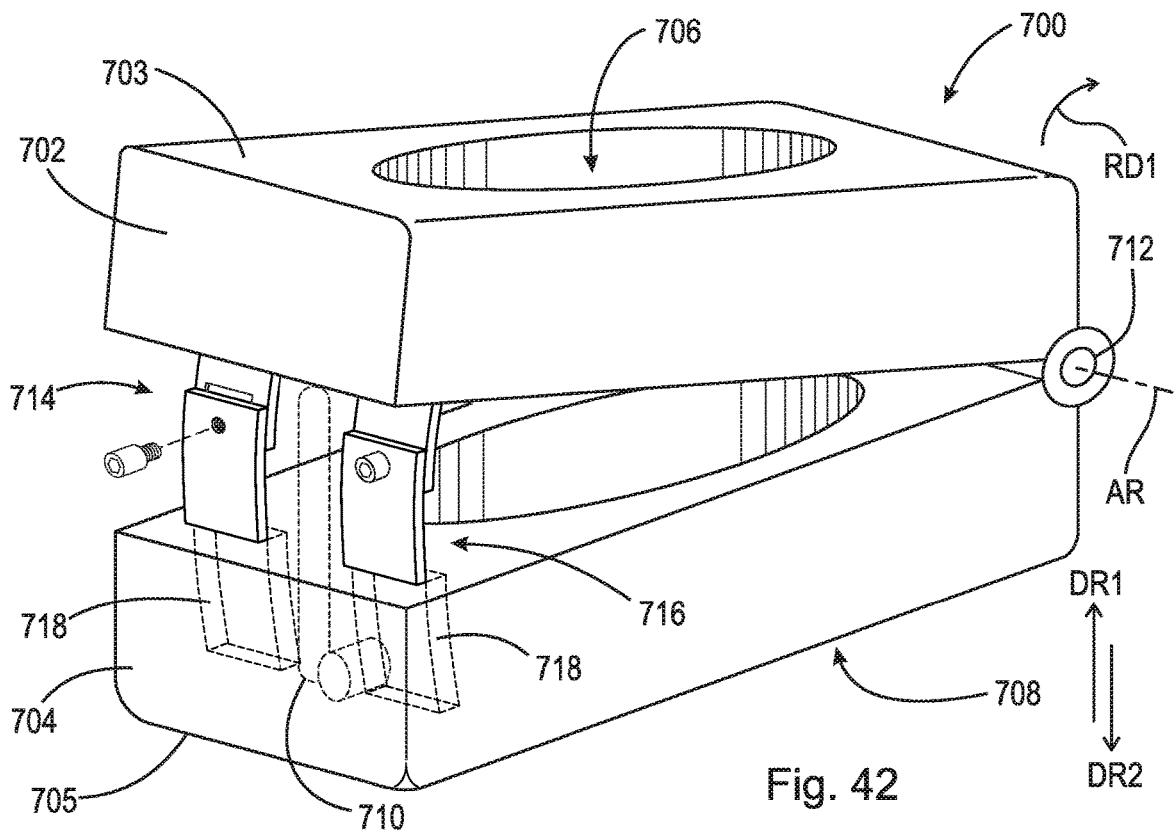
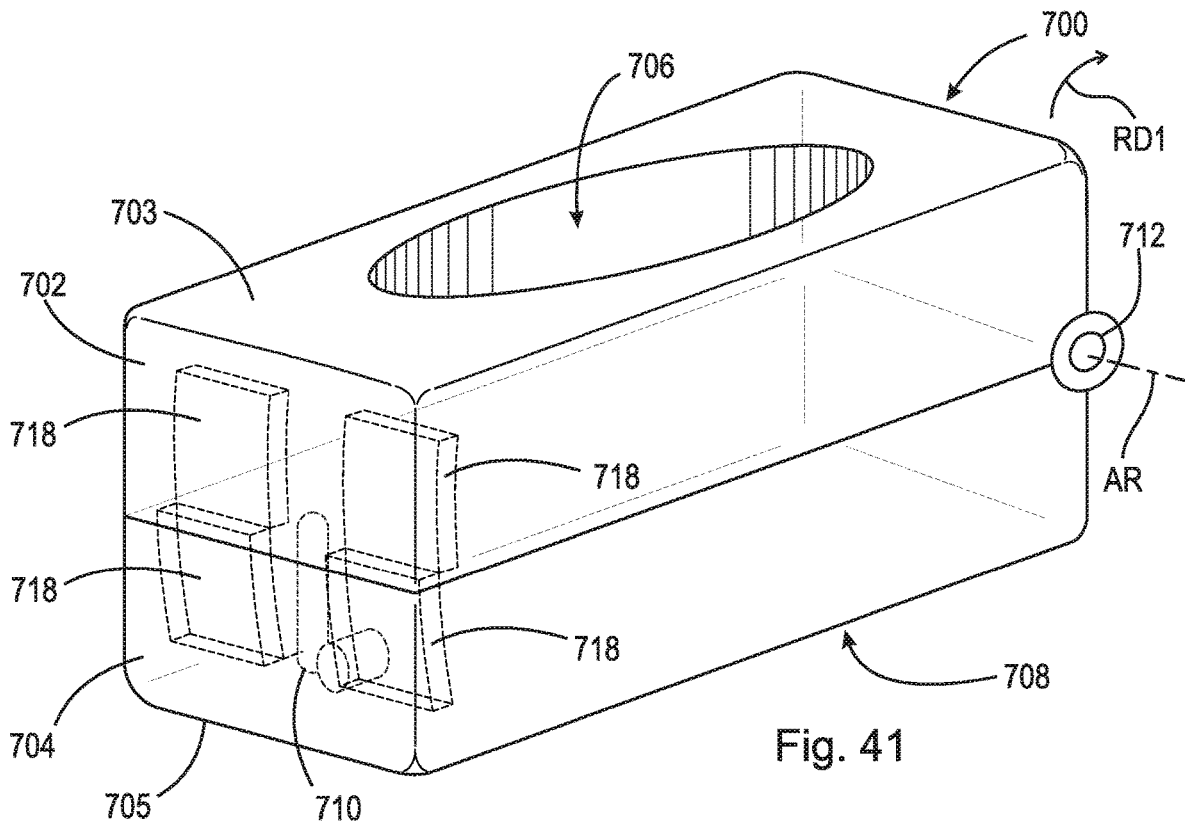


Fig. 40

Fig. 39



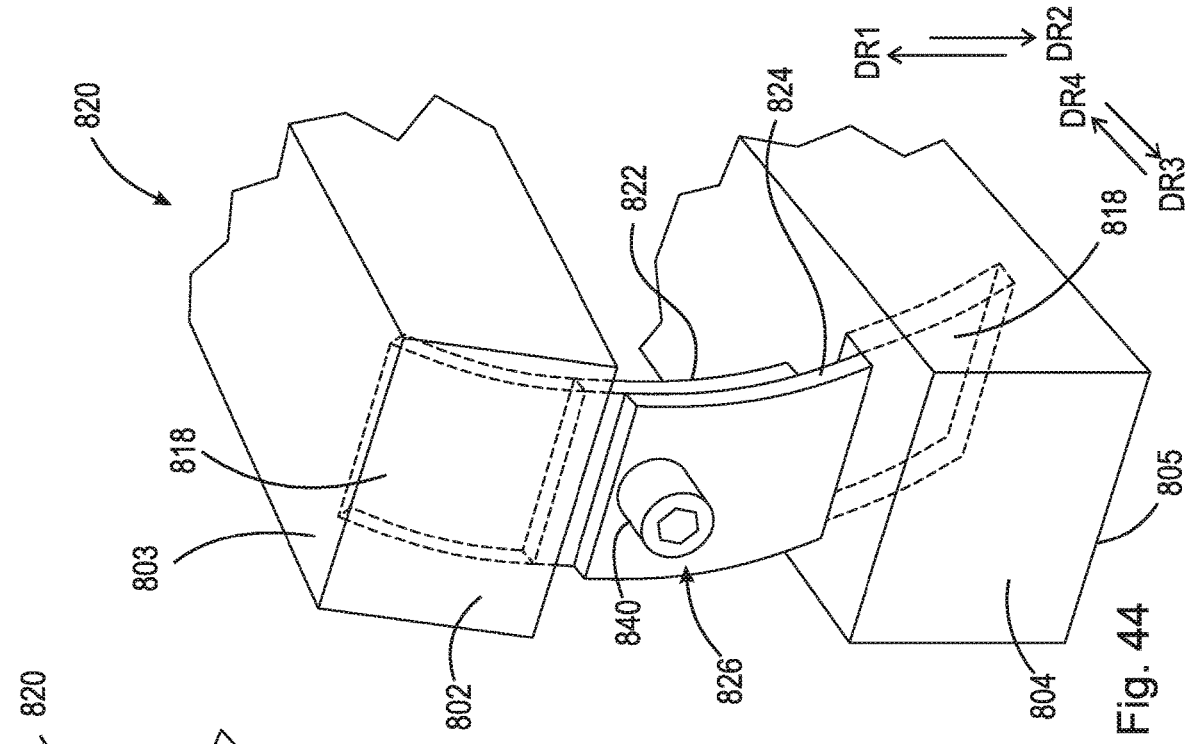


Fig. 43

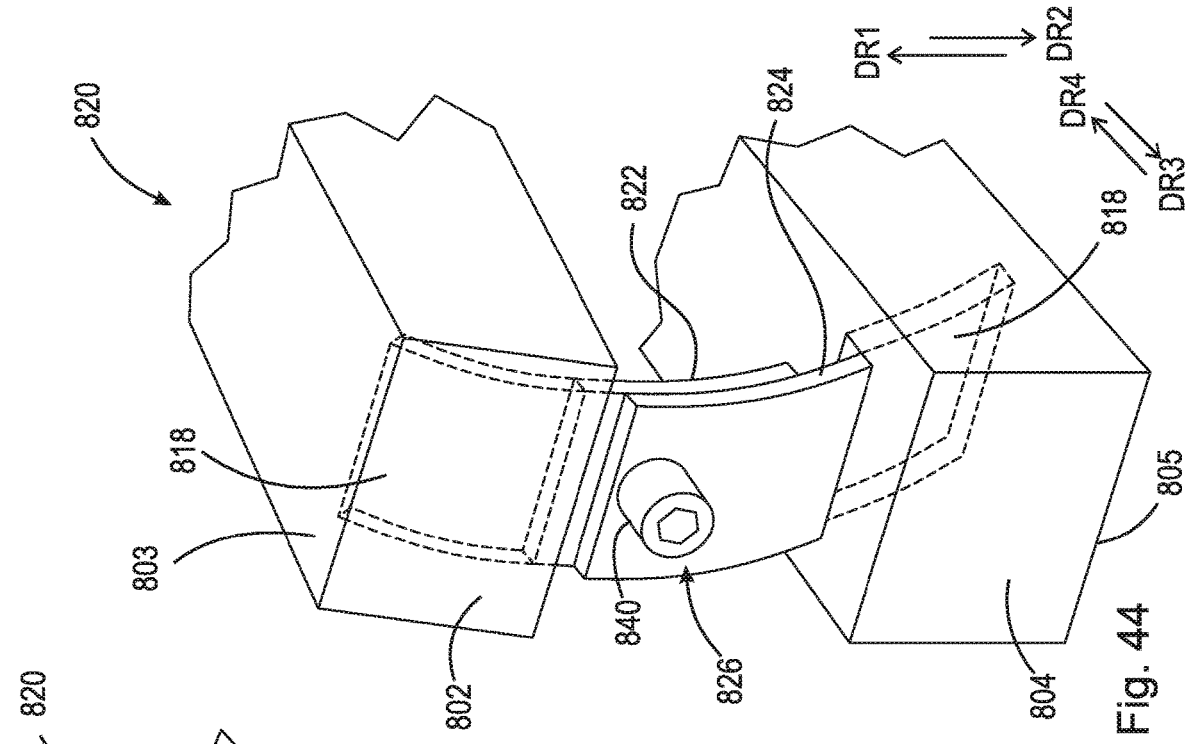
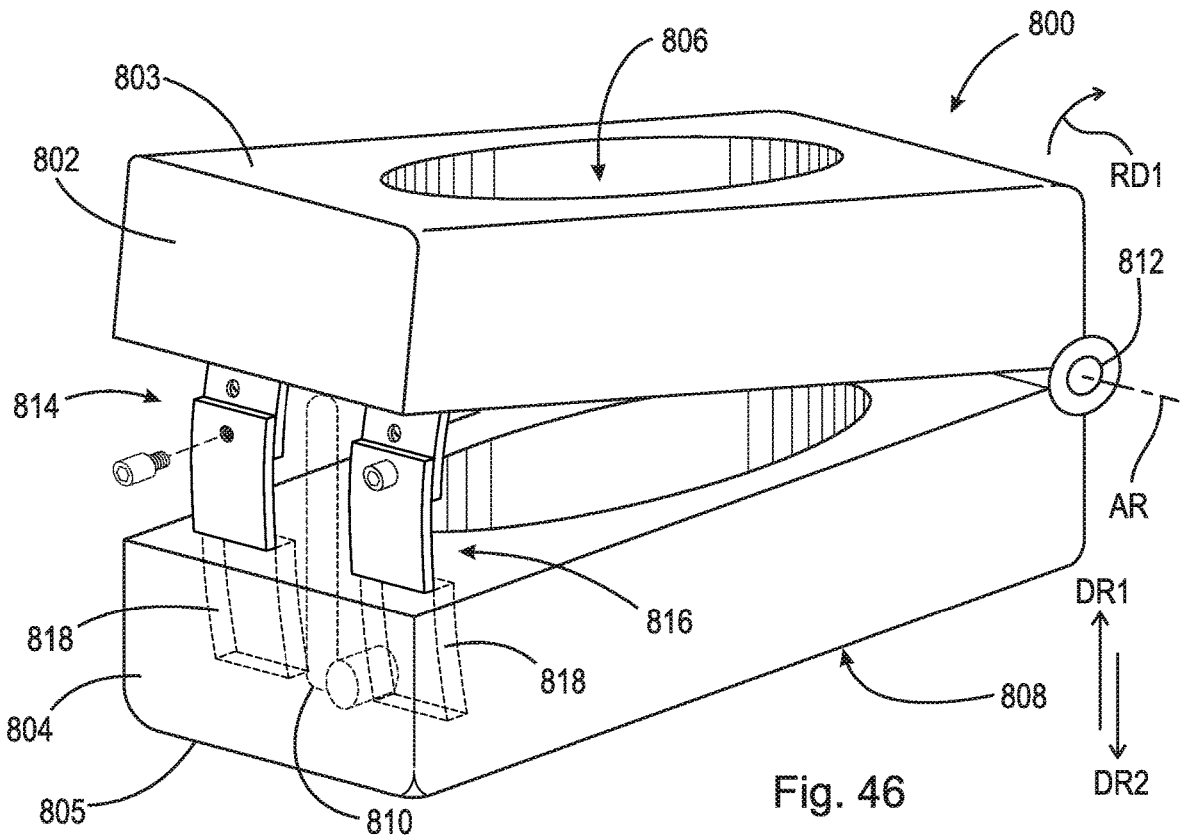
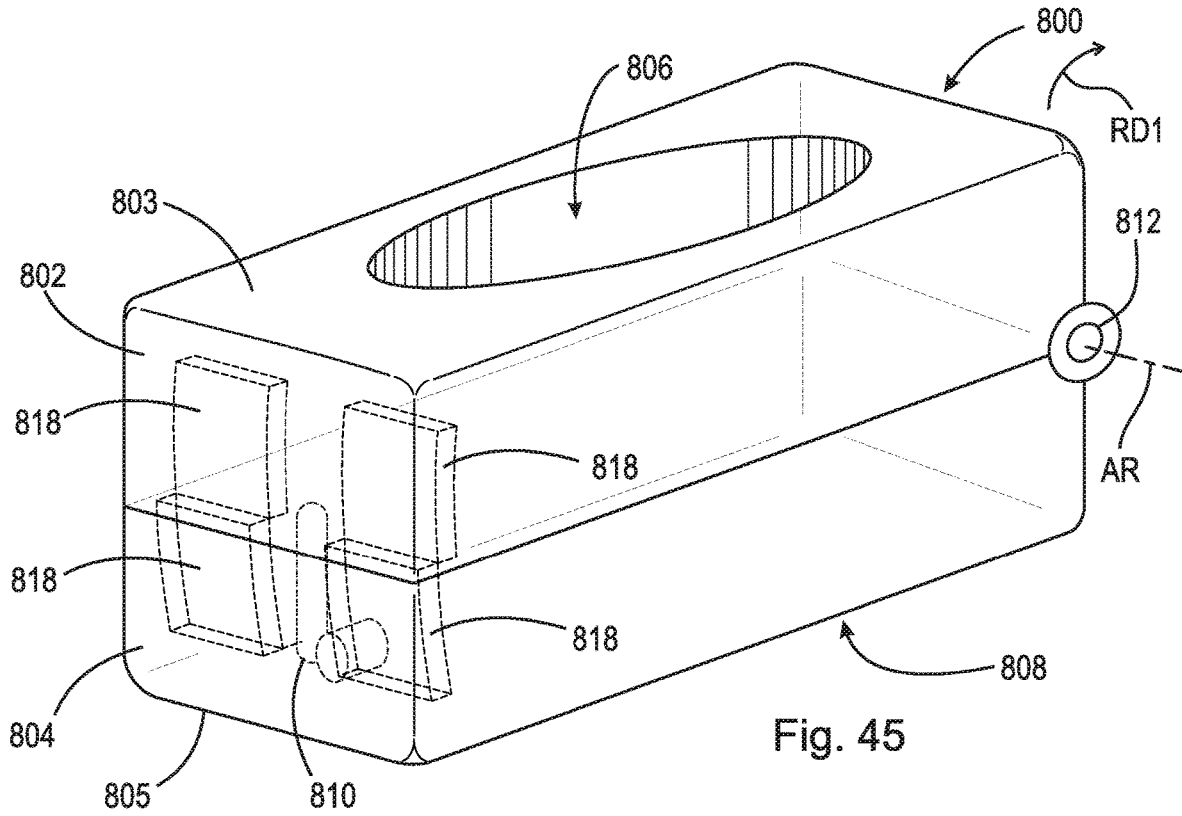


Fig. 44



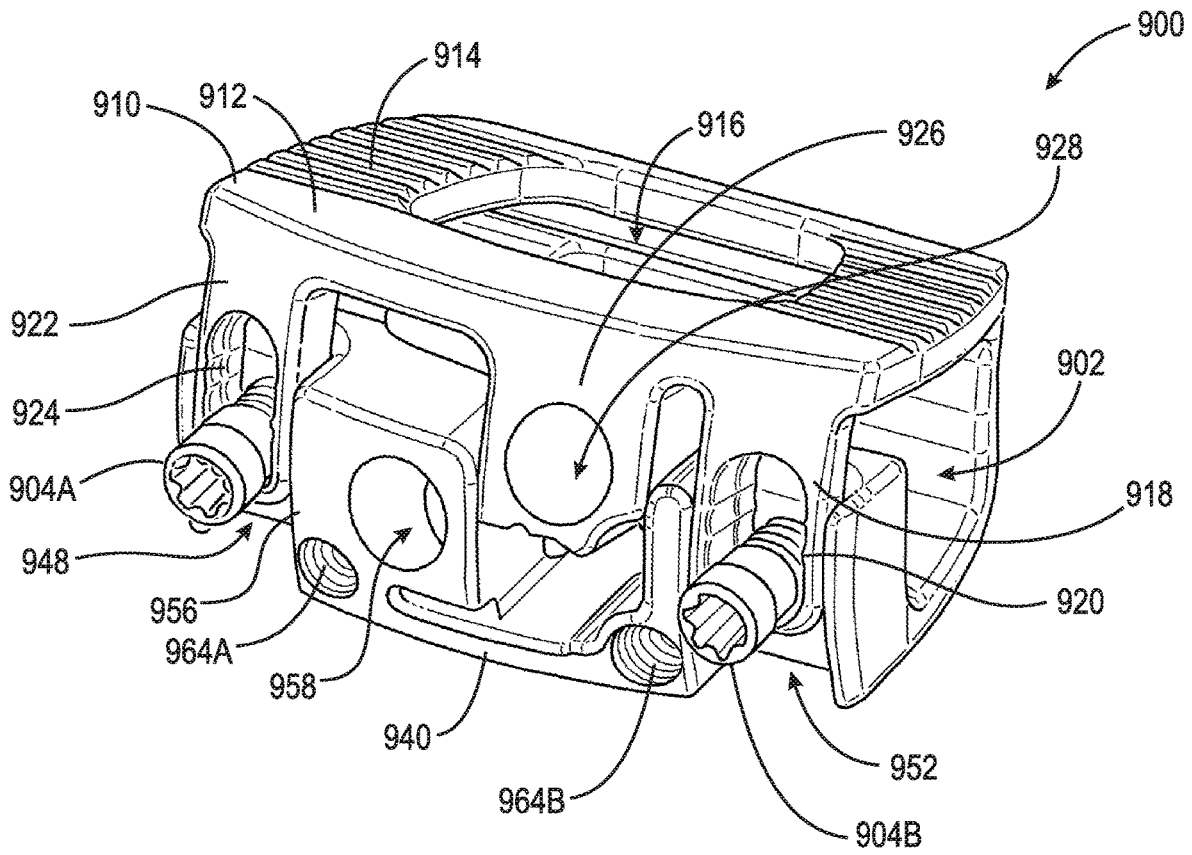


Fig. 47

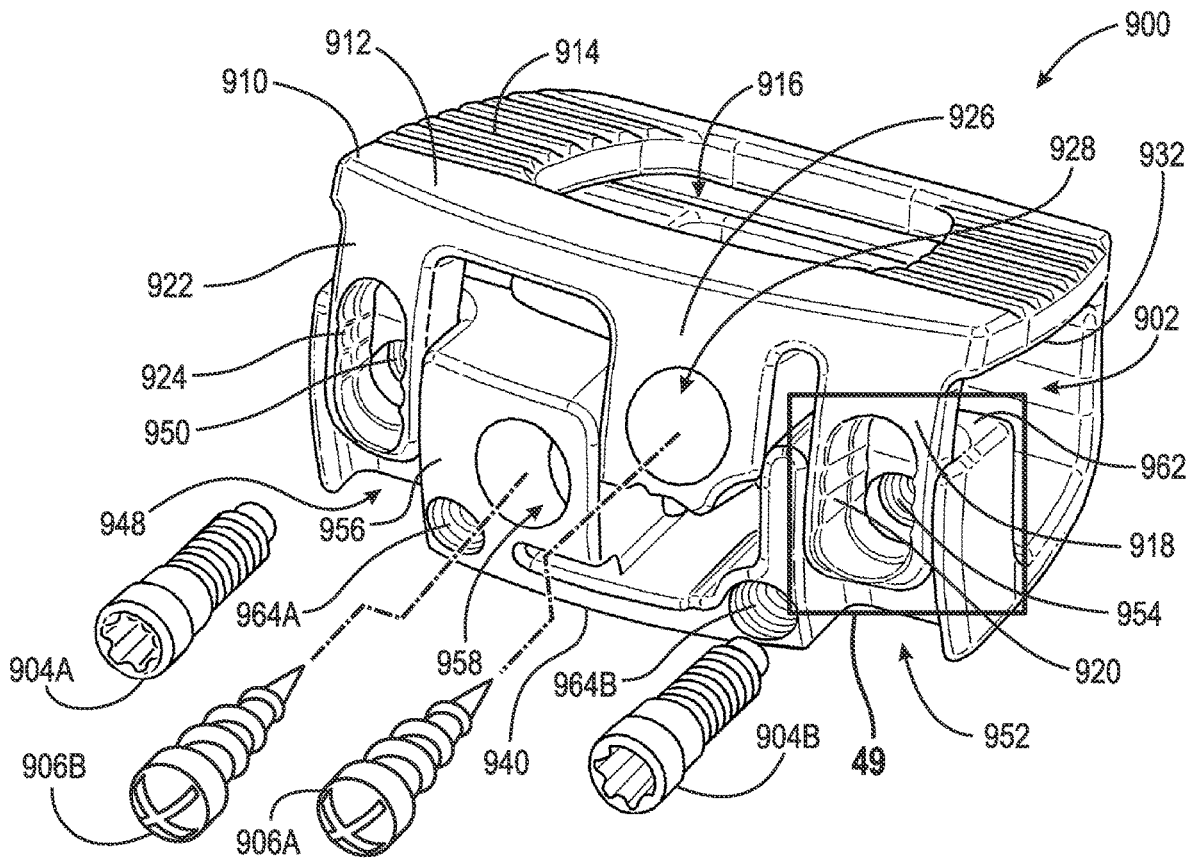


Fig. 48

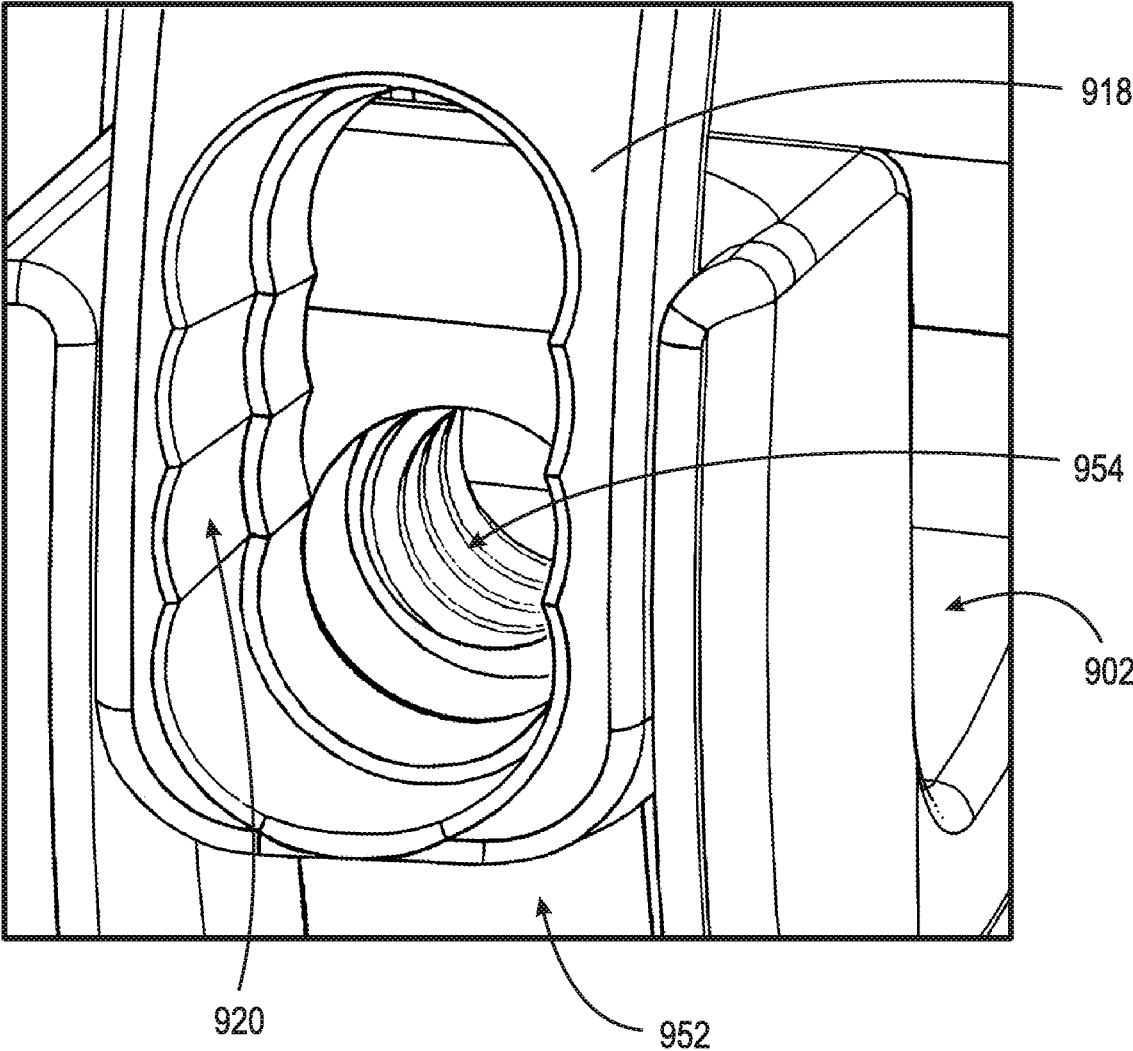


Fig. 49

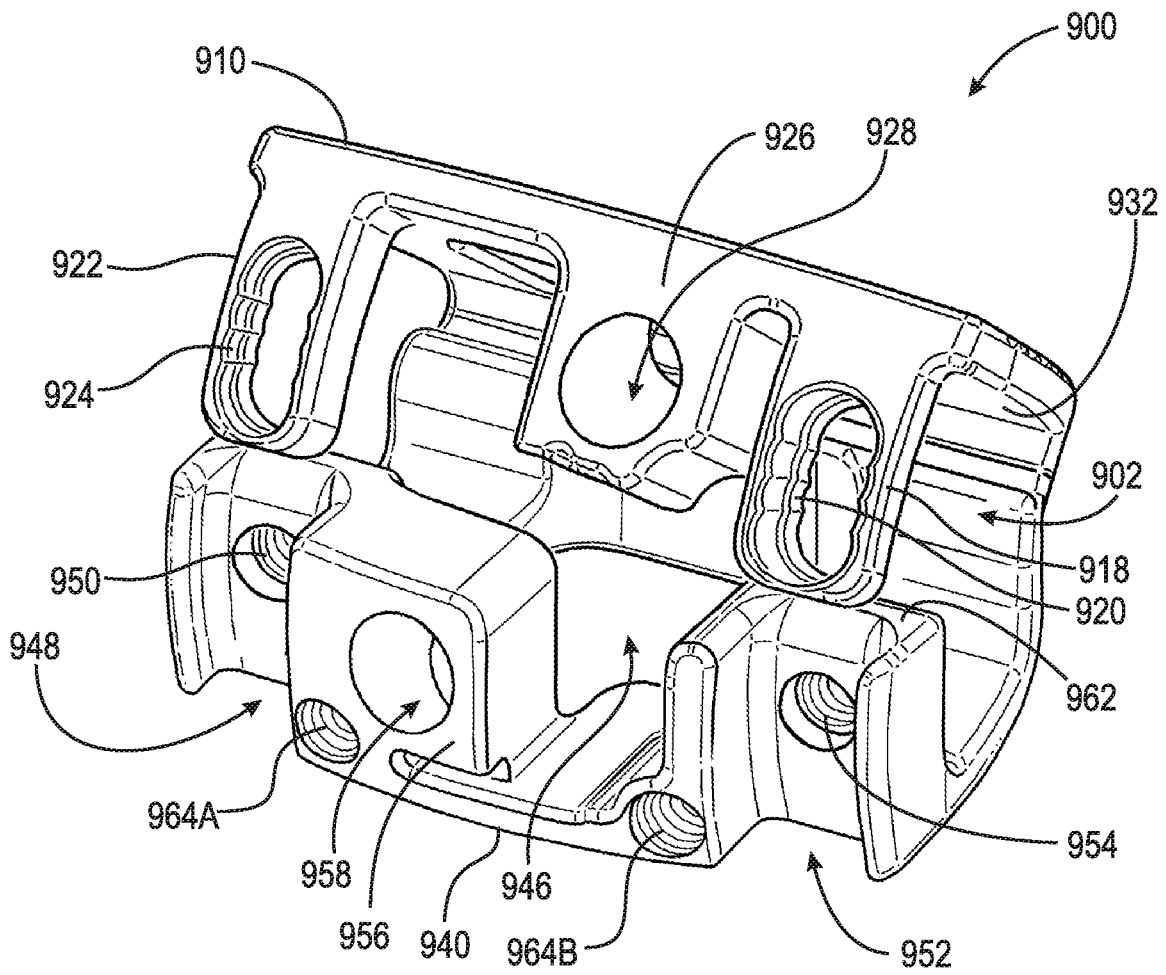


Fig. 50A

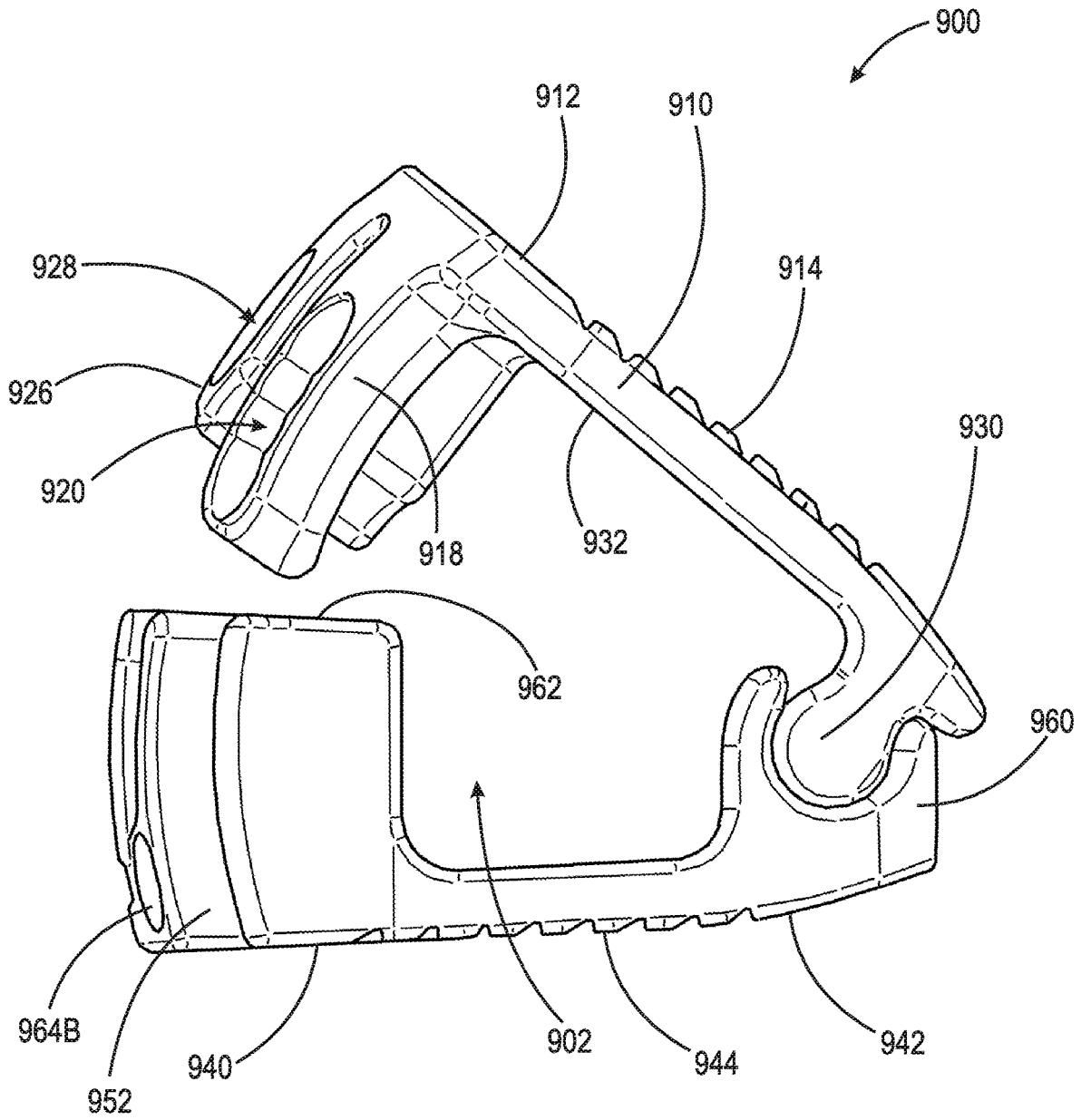


Fig. 50B

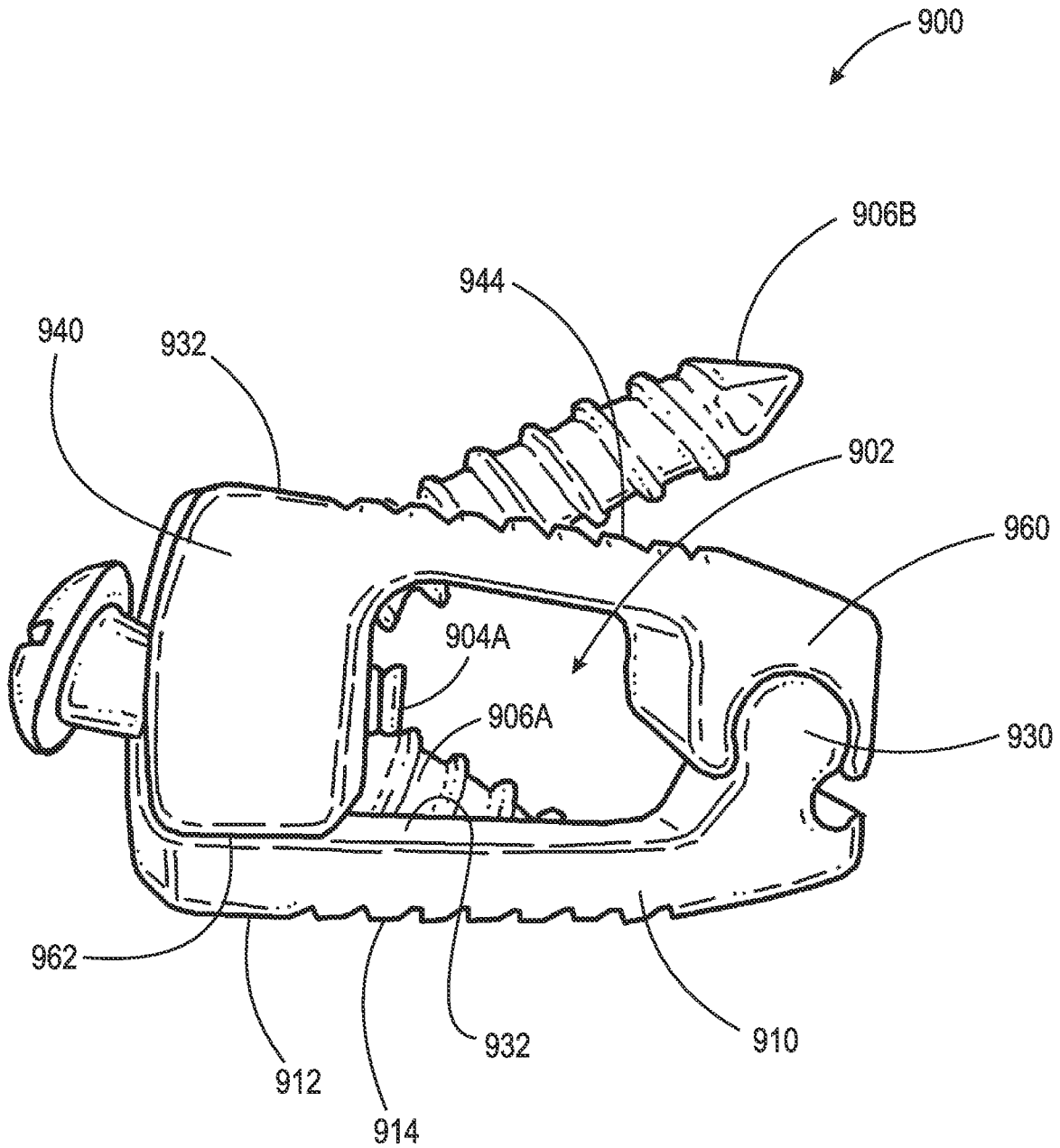


Fig. 51

1

STAND-ALONE EXPANDABLE INTERBODY SPINAL FUSION DEVICE WITH LOCKING MECHANISM

CROSS-REFERENCE TO RELATED APPLICATIONS

This application is filed under 35 U.S.C. § 120 as a continuation-in-part of U.S. patent application Ser. No. 15/707,756, filed on Sep. 18, 2017, which application is hereby incorporated by reference in its entirety.

FIELD

The disclosure relates to spinal surgery, more particularly to intervertebral prosthesis, and, even more specifically, to a stand-alone expandable interbody spinal fusion device with a locking mechanism.

BACKGROUND

The spinal column, or backbone, is one of the most important parts of the body. It provides the main support, allowing us to stand upright, bend, and twist. As shown in FIG. 1, thirty three (33) individual bones interlock with each other to form the spinal column. The vertebrae are numbered and divided into regions. The cervical vertebrae (C1-C7) form the neck, support the head and neck, and allow nodding and shaking of the head. The thoracic vertebrae (T1-T12) join with the ribs to form the rib cage. The five lumbar vertebrae (L1-L5) carry most of the weight of the upper body and provide a stable center of gravity when a person moves. Five vertebrae of the sacrum S and four of the coccyx C are fused. This comprises the back wall of the pelvis. Intervertebral discs are located between each of the mobile vertebra. Intervertebral discs comprise a thick outer layer with a crisscrossing fibrous structure annulus A that surrounds a soft gel-like center, the nucleus N. Discs function like shock-absorbing springs. The annulus pulls the vertebral bodies together against the elastic resistance of the gel-filled nucleus. When we bend, the nucleus acts like a ball bearing, allowing the vertebral bodies to roll over the incompressible gel. Each disc works in concert with two facet joints, forming a spinal motion segment. The biomechanical function of each pair of facet joints is to guide and limit the movement of the spinal motion segment. The surfaces of the joint are coated with cartilage that helps each joint move smoothly. Directly behind the discs, the ring-like vertebral bodies create a vertical tunnel called the spinal canal or neuro canal. The spinal cord and spinal nerves pass through the spinal canal, which protects them from injury. The spinal cord is the major column of nerve tissue that is connected to the brain and serves as an information super-highway between the brain and the body. The nerves in the spinal cord branch off to form pairs of nerve roots that travel through the small openings between the vertebrae and the intervertebral foramen.

The repetitive forces which act on these intervertebral discs during repetitive day-to-day activities of bending, lifting and twisting cause them to break down or degenerate over time. Overt trauma or covert trauma occurring in the course of repetitive activities disproportionately affect the more highly mobile areas of the spine. Disruption of a disc's internal architecture leads to bulging, herniation or protrusion of pieces of the disc and eventual disc space collapse. Resulting mechanical and chemical irritation of surrounding neural elements cause pain, attended by varying degrees of

2

disability. In addition, loss of disc space height relaxes tension on the longitudinal ligaments, thereby contributing to varying degrees of spinal instability such as spinal curvature.

Neural irritation and instability resulting from severe disc damage has been treated by removing the damaged disc and fusing adjacent vertebral elements. Removal of the disc relieves the mechanical and chemical irritation of neural elements, while osseous union solves the problem of instability. For example, in one surgical procedure, known as a discectomy (or diskectomy) with interbody fusion, the surgeon removes the nucleus of the disc and replaces it with an implant. As shown in FIG. 2, it may be necessary, for example, for the surgeon to remove the nucleus of the disc between the L3 and L4 vertebrae. Disc D_{L3-L4} is shown in an enlarged view in FIG. 3. This figure also shows various anatomical structures of the spine, including facets F3A and F4A, facet joint FJ, spinous processes SP3 and SP4, transverse processes TP3A and TP4A, and intervertebral foramen IF. FIG. 4 is a top view of the section of the spinal column shown in FIG. 3, with the L3 vertebra removed to expose annulus A and nucleus N of disc D_{L3-L4} . Neural canal NC is also shown. FIG. 5 is an anterior perspective view of the section of the spinal column shown in FIG. 4. FIG. 6 is a partial cross-sectional view of the section of the spinal column shown in FIG. 5, but with vertebra L3 in place atop disc D_{L3-L4} .

While cancellous bone appears ideal to provide the biologic components necessary for osseous union to occur, it does not initially have the strength to resist the tremendous forces that may occur in the intervertebral disc space, nor does it have the capacity to adequately stabilize the spine until long term bony union occurs. For these reasons, many spinal surgeons have found that interbody fusion using bone alone has an unacceptably high rate of bone graft migration or even expulsion or nonunion due to structural failure of the bone or residual degrees of motion that retard or prohibit bony union.

Intervertebral prosthesis in various forms have therefore been used to provide immediate stability and to protect and preserve an environment that fosters growth of grafted bone such that a structurally significant bony fusion can occur.

After insertion, and shortly after the conclusion of the surgical process, these interbody devices experience the full weight of the patient's upper body, originally experienced by the disc prior to replacement. This weight may be sufficient to cause expandable intervertebral implants such as the implants disclosed in U.S. patent application Ser. No. 15/416,270 filed Jan. 26, 2017, which application is herein incorporated by reference in its entirety, to collapse from their expanded state to their unexpanded height, thereby negatively affecting the quality of bone fusion.

Thus, there is a long-felt need for a stand-alone expandable interbody spinal fusion device with a locking mechanism operatively arranged to prevent collapse of an interbody device after insertion.

SUMMARY

According to aspects illustrated herein, there is provided an expandable interbody spinal fusion device, comprising an inferior component including at least one hole, a superior component connected to the inferior component, the superior component including a plurality of catches operatively arranged to align with the at least one hole, and a locking screw operatively arranged to engage the plurality of catches

3

and the at least one hole to lock the superior component with respect to the inferior component.

According to aspects illustrated herein, there is provided an expandable interbody spinal fusion device, comprising an inferior component including a first surface and at least one hole, a superior component hingedly connected to the inferior component, the superior component including a second surface and a plurality of catches operatively arranged to align with the at least one hole, a cavity formed between the inferior component and the superior component, and a locking screw operatively arranged to engage the plurality of catches and the at least one hole to lock the superior component with respect to the inferior component.

According to aspects illustrated herein, there is provided a stand-alone expandable interbody spinal fusion device including a superior component, an inferior component, an expansion mechanism operatively arranged to displace the superior component in a first direction relative to the inferior component about a first hinge, and a locking mechanism. The locking mechanism including a plate operatively arranged to pivot about a second hinge, the plate further comprising a first through-bore and a first plurality of teeth, a pawl operatively arranged to pivot about a third hinge, the pawl further comprising a second through-bore, and a post operatively arranged to pass through the second and third through-bores such that after the superior component is displaced in the first direction, the locking mechanism prevents displacement of the superior component in a second direction, opposite the first direction.

According to aspects illustrated herein, there is provided a stand-alone expandable interbody spinal fusion device including a superior component, an inferior component, an expansion mechanism operatively arranged to displace the superior component in a first direction relative to the inferior component about a hinge, and a locking mechanism. The locking mechanism including a first plate fixedly secured to the superior component, the first plate further comprising a first through-bore, a second plate fixedly secured to the inferior component, the second plate further comprising a second through-bore, a post having a first end and a second end such that after the superior component is displaced in the first direction, the locking mechanism prevents displacement of the superior component in a second direction, opposite the first direction.

According to aspects illustrated herein, there is provided a stand-alone expandable interbody spinal fusion device including a superior component, an inferior component, an expansion mechanism operatively arranged to displace the superior component in a first direction relative to the inferior component, and a locking mechanism. The locking mechanism including a first plate fixedly secured to the superior component, the first plate further comprising a first through-bore, a second plate fixedly secured to the inferior component, the second plate further comprising a second through-bore, a third plate fixedly secured to the superior component, the third plate further comprising a third through-bore, a fourth plate fixedly secured to the inferior component, the fourth plate further comprising a fourth through-bore, and, a post arranged to engage with the first through-bore, the second through-bore, the third through-bore, and the fourth through-bore, such that after the superior component is displaced in the first direction, the locking mechanism prevents displacement of the superior component in a second direction, opposite the first direction.

These and other objects, features, and advantages of the present disclosure will become readily apparent upon a

4

review of the following detailed description of the disclosure, in view of the drawings and appended claims.

BRIEF DESCRIPTION OF THE DRAWINGS

Various embodiments are disclosed, by way of example only, with reference to the accompanying schematic drawings in which corresponding reference symbols indicate corresponding parts, in which:

FIG. 1 is an anterior perspective view of spinal column 10;

FIG. 2 is an anterior perspective view of the lumbar section of spinal column 10;

FIG. 3 is a lateral perspective view of L3, L4 vertebrae and disc D_{L3-L4} and related spinal anatomy;

FIG. 4 is a top view of a section of the spinal column, taken generally along line 4-4 in FIG. 3;

FIG. 5 is an enlarged anterior perspective view of the spinal column shown in FIG. 2, except with vertebra L3 and all other structure above L3 removed;

FIG. 6 is a partial cross-sectional view of the L4 vertebra and D_{L3-L4} disc shown in FIG. 5, including L3 in cross-section;

FIG. 7 is a partial cross-sectional view of the L4 vertebra and D_{L3-L4} disc shown in FIG. 5, showing the removal of the disc nucleus post-discectomy including L3 in cross-section;

FIG. 8 illustrates the introduction of the stand-alone expandable interbody spinal fusion device into the disc space in an unexpanded state;

FIG. 9 is a perspective view of a first embodiment of a stand-alone expandable interbody spinal fusion device, in an unexpanded state;

FIG. 10 is a partially-exploded perspective view of a stand-alone expandable interbody spinal fusion device with a first embodiment of a locking mechanism, in an expanded state;

FIG. 11 is a front view of a stand-alone expandable interbody spinal fusion device with a first embodiment of a locking mechanism, in an unexpanded state;

FIG. 12 is a cross-sectional view of a stand-alone expandable interbody spinal fusion device with a first embodiment of a locking mechanism, in an unexpanded state, taken generally along line 12-12 in FIG. 11;

FIG. 13 is a front view of a stand-alone expandable interbody spinal fusion device with a first embodiment of a locking mechanism, in an expanded state;

FIG. 14 is a cross-sectional view of a stand-alone expandable interbody spinal fusion device with a first embodiment of a locking mechanism, in an expanded state, taken generally along line 14-14 in FIG. 13;

FIG. 15A is a perspective view of an expansion mechanism in an unexpanded state;

FIG. 15B is a perspective view an expansion mechanism in an expanded state;

FIG. 16 is a perspective view of an expansion mechanism;

FIG. 17 is a side view of a second embodiment of a locking mechanism;

FIG. 18 is a front perspective partially exploded view of a second embodiment of a locking mechanism;

FIG. 19 is a front perspective view of a stand-alone expandable interbody spinal fusion device with a second embodiment of a locking mechanism, in an unexpanded state;

FIG. 20 is a front perspective view of a stand-alone expandable interbody spinal fusion device with a second embodiment of a locking mechanism, in an expanded state;

5

FIG. 21 is a side view of a third embodiment of a locking mechanism;

FIG. 22 is a front perspective partially exploded view of a third embodiment of a locking mechanism;

FIG. 23 is a front perspective view of a stand-alone expandable interbody spinal fusion device with a third embodiment of a locking mechanism, in an unexpanded state;

FIG. 24 is a front perspective view of a stand-alone expandable interbody spinal fusion device with a third embodiment of a locking mechanism, in an expanded state;

FIG. 25 is a front perspective partial view of a fourth locking mechanism in an unlocked state;

FIG. 26 is a front perspective partial view of a fourth locking mechanism in a locked state;

FIG. 27 is a front partially-exploded perspective view of a stand-alone expandable interbody spinal fusion device with a fourth embodiment of a locking mechanism in an unexpanded state;

FIG. 28 is a front perspective view of a stand-alone expandable interbody spinal fusion device with a fourth embodiment of a locking mechanism in an expanded state;

FIG. 29 is a front perspective partial view of a fifth locking mechanism in an unlocked state;

FIG. 30 is a front perspective partial view of a fifth locking mechanism in a locked state;

FIG. 31 is a front partially-exploded perspective view of a stand-alone expandable interbody spinal fusion device with a fifth embodiment of a locking mechanism in an unexpanded state;

FIG. 32 is a front partially-exploded perspective view of a stand-alone expandable interbody spinal fusion device with a fifth embodiment of a locking mechanism in an expanded state;

FIG. 33 is a perspective view of a sixth embodiment of a stand-alone expandable interbody spinal fusion device, in an unexpanded state;

FIG. 34 is a partially-exploded perspective view of a stand-alone expandable interbody spinal fusion device with a sixth embodiment of a locking mechanism, in an expanded state;

FIG. 35 is a front view of a stand-alone expandable interbody spinal fusion device with a sixth embodiment of a locking mechanism, in an unexpanded state;

FIG. 36 is a cross-sectional view of a stand-alone expandable interbody spinal fusion device with a sixth embodiment of a locking mechanism, in an unexpanded state, taken generally along line 36-36 in FIG. 35;

FIG. 37 is a front view of a stand-alone expandable interbody spinal fusion device with a sixth embodiment of a locking mechanism, in an expanded state;

FIG. 38 is a cross-sectional view of a stand-alone expandable interbody spinal fusion device with a sixth embodiment of a locking mechanism, in an expanded state, taken generally along line 38-38 in FIG. 37;

FIG. 39 is a front perspective partial view of a seventh embodiment of a locking mechanism in an unlocked state;

FIG. 40 is a front perspective partial view of a seventh embodiment of a locking mechanism in a locked state;

FIG. 41 is a front partially-exploded perspective view of a stand-alone expandable interbody spinal fusion device with a seventh embodiment of a locking mechanism in an unexpanded state;

FIG. 42 is a front perspective view of a stand-alone expandable interbody spinal fusion device with a seventh embodiment of a locking mechanism in an expanded state;

6

FIG. 43 is a front perspective partial view of an eighth embodiment of a locking mechanism in an unlocked state;

FIG. 44 is a front perspective partial view of an eighth embodiment of a locking mechanism in a locked state;

FIG. 45 is a front partially-exploded perspective view of a stand-alone expandable interbody spinal fusion device with an eighth embodiment of a locking mechanism in an unexpanded state;

FIG. 46 is a front perspective view of a stand-alone expandable interbody spinal fusion device with an eighth embodiment of a locking mechanism in an expanded state;

FIG. 47 is a front perspective view of a stand-alone expandable interbody spinal fusion device in an expanded state;

FIG. 48 is a partial exploded view of the stand-alone expandable interbody spinal fusion device shown in FIG. 47;

FIG. 49 is a detail view of the stand-alone expandable interbody spinal fusion device taken generally along detail 49 in FIG. 48;

FIG. 50A is a front perspective view of the stand-alone expandable interbody spinal fusion device shown in FIG. 47;

FIG. 50B is a side elevational view of the stand-alone expandable interbody spinal fusion device shown in FIG. 50A; and,

FIG. 51 is a side elevational view of the stand-alone expandable interbody spinal fusion device shown in FIG. 47 in a collapsed state.

DETAILED DESCRIPTION

At the outset, it should be appreciated that like drawing numbers on different drawing views identify identical, or functionally similar, structural elements. It is to be understood that the claims are not limited to the disclosed aspects.

Furthermore, it is understood that this disclosure is not limited to the particular methodology, materials and modifications described and as such may, of course, vary. It is also understood that the terminology used herein is for the purpose of describing particular aspects only, and is not intended to limit the scope of the claims.

Unless defined otherwise, all technical and scientific terms used herein have the same meaning as commonly understood to one of ordinary skill in the art to which this disclosure pertains. It should be understood that any methods, devices or materials similar or equivalent to those described herein can be used in the practice or testing of the example embodiments. The assembly of the present disclosure could be driven by hydraulics, electronics, pneumatics, and/or springs.

It should be appreciated that the term “substantially” is synonymous with terms such as “nearly,” “very nearly,” “about,” “approximately,” “around,” “bordering on,” “close to,” “essentially,” “in the neighborhood of,” “in the vicinity of,” etc., and such terms may be used interchangeably as appearing in the specification and claims. It should be appreciated that the term “proximate” is synonymous with terms such as “nearby,” “close,” “adjacent,” “neighboring,” “immediate,” “adjoining,” etc., and such terms may be used interchangeably as appearing in the specification and claims. The term “approximately” is intended to mean values within ten percent of the specified value.

The term “superior component” as used in the present disclosure is intended to mean the component of the body of the implant located in the highest position relative to the other components in first direction DR1.

The term “inferior component” as used in the present disclosure is intended to mean the component of the body of the implant located in the lowest position relative to the other components in first direction DR1.

The term “gear shaft” as used in the present disclosure is intended to mean any gear currently understood in the art that has been elongated such that it is substantially cylindrical in shape.

The term “pawl” as used in the present disclosure is intended to mean a plate or bar having one end arranged to engage the teeth of a ratchet and place pressure on the ratchet in a first direction such that the ratchet can only be disengaged from the teeth by motion in a second direction, opposite the first direction.

Adverting now to the Figures, and as described previously, FIGS. 1-6 depict various parts and sections of spinal anatomy. FIG. 7 illustrates a partial cross-sectional view of the L3 and L4 vertebra with disc D_{L3-L4} removed (post discectomy) and able to receive stand-alone expandable interbody spinal fusion device **100**.

FIG. 8 illustrates a partial cross-sectional view of the L3 and L4 vertebra with stand-alone expandable interbody spinal fusion device **100** in place within disc space **12** in an unexpanded state.

FIG. 9 is a perspective view of stand-alone expandable interbody spinal fusion device **100**, in an unexpanded state. Device **100** comprises superior component **102**, inferior component **104**, and expansion mechanisms **106**, **108**, and **110** (described infra) arranged to displace superior component **102** in a first direction DR1 relative to inferior component **104**, giving device **100** an expanded height H_2 greater than unexpanded height H_1 (shown in FIGS. **11** and **13**). Device **100** also comprises locking mechanisms **112**, **114**, **116**, and **118** arranged between superior component **102** and inferior component **104** (locking mechanisms **116** and **118** are shown in FIG. **10**).

Locking mechanism **112** comprises plates **120A** (shown in FIG. **9**) and **120B** (shown in FIG. **10**). Locking mechanism **114** comprises plates **120C** (shown in FIG. **9**) and **120D** (shown in FIG. **10**). Locking mechanism **116** comprises plates **120E** (shown in FIG. **9**) and **120F** (shown in FIG. **10**). Locking mechanism **118** comprises plates **120G** (shown in FIG. **9**) and **120H** (shown in FIG. **10**). Each of plates **120A-120H** further include a plurality of through-bores, i.e., plurality of through-bores **122A-122H**, respectively. It should be appreciated that, although plates **120A-120H** are shown as integral within superior component **102** and inferior component **104**, plates **120A-120H** could also be discrete plates, fixedly secured to superior component **102** and inferior component **104**.

Superior component **102** and inferior component **104** further comprise at least one first aperture **124** arranged to allow fusion between bone fusing material and the adjacent vertebra and a second aperture **126** located on the front face of device **100** and arranged to allow the introduction of bone fusing material into device **100**. Second aperture **126** is illustrated as an arched slot as a non-limiting example, however, it should be appreciated that second aperture **126** could be an aperture of any suitable shape, e.g., triangular, circular, rectangular, elliptical, etc., that would allow for the introduction of bone fusing material into device **100**. Superior component **102** has a first surface **103** and inferior component **104** has a first surface **105**.

FIG. **10** is a perspective view of stand-alone expandable interbody spinal fusion device **100**, in an expanded state. It should be appreciated that FIG. **10** is a partial view, i.e., superior component **102** has been removed for clarity.

During surgery and after device **100** is implanted in disc space **12**, a surgeon can apply torque to expansion mechanisms **106**, **108**, and **110** via any device that imparts rotational force upon expansion mechanisms **106**, **108**, and **110** (e.g., a screw driver or impact driver). Expansion mechanisms **106**, **108** and **110** are preferably the embodiment illustrated in FIGS. **15** and **16**, described infra. Furthermore, it should be appreciated that although expansion mechanisms **106**, **108**, and **110** are depicted within inferior component **104** in FIGS. **9-14**, expansion mechanisms **106**, **108**, and **110** could be arranged within superior component **102**. This rotational force causes expansion mechanisms **106**, **108**, and **110**, to displace superior component **102** in direction DR1 relative to inferior component **104** giving device **100** an expanded height H_2 , greater than H_1 (shown in FIGS. **11** and **13**). It should be appreciated that expansion mechanisms **106**, **108**, and **110** can be expanded to any height between unexpanded height H_1 and expanded height H_2 . Device **100** further comprises post **128** and fastener **130**. Post **128** and fastener **130** are provided to secure locking mechanisms **112** and **116** in position once device **100** is expanded to its final height. Fastener **130** has a first end **132** and a second end **134**. First end **132** is operatively arranged to engage with any device known in the art that can impart rotational motion onto fastener **130**, e.g., a drill. Second end **134** includes female threading **136**. Post **128** further includes four sections, i.e., section **138**, section **140**, section **142**, and section **144**. Section **138** comprises male threading **146** operatively arranged to engage with female threading **136**. Section **144** comprises stopping element **148**. It should be appreciated that, although stopping element **148** is depicted as a flanged member, other variations of stopping elements can be used, e.g., a spherical stopping element. Sections **138** and **142** have diameter D_1 and sections **140** and **144** have diameter D_2 , where D_2 is greater than D_1 . Prior to locking, sections **138** and **142** having diameter D_1 are loosely seated in longitudinal space **150** (shown in FIG. **11**) arranged between each through-bore in the plurality of through-bores **122A**, **122B**, **122E**, and **122F**. After device **100** has been inserted into disc space **12** and expanded to an appropriate height, a surgeon can apply torque to first end **132** of fastener **130**, pulling post **128** in direction DR3 into the locked position. In the locked position, sections **140** and **144** are completely seated in one of the through-bores of plurality of through-bores **122A**, **122B**, **122E**, and **122F**, which correspond to the chosen device height. In this locked position, device **100** is prevented from collapsing in direction DR2.

Device **100** further comprises post **152** and fastener **154** (shown in FIG. **14**). Post **152** and fastener **154** are provided to secure locking mechanisms **114** and **118** in position once device **100** is expanded to its final height. Fastener **154** has a first end **156** and a second end **158**. First end **156** includes a recess operatively arranged to engage with any device known in the art that can impart rotational motion onto fastener **154**, e.g., a drill. Second end **158** includes female threading **160**. Post **152** includes four sections, i.e., section **162**, section **164**, section **166**, and section **168**. Section **162** comprises male threading **170** operatively arranged to engage with female threading **160** of fastener **154**. Section **168** comprises stopping element **172**. It should be appreciated that, although stopping element **172** is depicted as a flanged member, other variations of stopping elements can be used, e.g., a spherical stopping element. Sections **162** and **166** have diameter D_1 and sections **164** and **168** have diameter D_2 where D_2 is greater than D_1 . Prior to locking, sections **162** and **166**, having diameter D_1 , are loosely seated in longitudinal space **174** (shown in FIG. **11**) arranged

between each through-bore in the plurality of through-bores 122C, 122D, 122G, and 122H. After device 100 has been inserted into disc space 12 and expanded to an appropriate height, a surgeon can apply torque to first end 156 of fastener 154, pulling post 152 in direction DR3 into the locked position. In the locked position, sections 164 and 168 are seated in one of the through-bores of plurality of through-bores 122C, 122D, 122G, and 122H, which corresponds to the chosen device height. In this locked position, device 100 is prevented from collapsing in direction DR2.

FIG. 11 is a front view of stand-alone expandable interbody spinal fusion device 100, in an unexpanded state having an unexpanded height H_1 . FIG. 12 is a cross-sectional view of stand-alone expandable interbody spinal fusion device 100, in an unexpanded state having an unexpanded height H_1 . FIG. 13 is a front view stand-alone expandable interbody spinal fusion device 100, in an expanded state having an expanded height H_2 , greater than H_1 . FIG. 14 is a cross-sectional view of stand-alone expandable interbody spinal fusion device 100 in an expanded state having an expanded height H_2 , greater than H_1 . It should be appreciated that in FIGS. 12 and 14, expansion mechanisms 106, 108 and 110 have been removed for clarity. It should also be appreciated that, although pluralities of through-bores 122A-122H are illustrated with a longitudinal space between each through-bore of each plurality of through-bores, it is also contemplated that plurality of through-bores 122A-122H could include multiple discrete through-bores, separate and distinct from each other with no longitudinal space between them.

FIG. 15A is a perspective view of expansion mechanism 176 in an unexpanded state. FIG. 15B is a perspective view of an expansion mechanism 176 in an expanded state. Expansion mechanism 176 comprises threaded rod 178, threaded sleeve 180, and worm drive 182 having worm 184 and gear 186. A portion of threaded rod 178 can be embedded within superior component 102 such that it is rotationally fixed; however, it should be appreciated that the frictional engagement between the top surface of threaded rod 178 and the inner surface of superior component 102 may be sufficient to prevent threaded rod 178 from freely rotating. During surgery and after device 100 is implanted in disc space 12, a surgeon can apply torque to worm drive 182 via any device that imparts rotational force upon worm 184 (e.g., a screw driver or impact driver). Torque is transferred 90 degrees through worm drive 182, via worm 184 and gear 186. Rotation of gear 186 causes threaded sleeve 180 to rotate. As threaded sleeve 180 rotates, threaded rod 178 remains rotationally locked due to the portion embedded within superior component 102, or frictional contact with the inner surface of superior component 102. As threaded sleeve 180 rotates, the threads of the rotationally locked threaded rod 178 ride upward along the threads within threaded sleeve 180, displacing threaded rod 178, and subsequently superior component 102, in direction DR1. Threaded rod 178 includes a stopping feature to prevent threaded rod 178 from being ejected from threaded sleeve 180. For example, the lower portion of threaded rod 178 could be threadless (not shown in the figures), and therefore prevent threaded rod 178 from being ejected from threaded sleeve 180. When threaded rod 178 reaches its maximum expansion, the unthreaded portion of threaded rod 178 remains within threaded sleeve 180, preventing threaded rod 178 from being pushed out of threaded sleeve 180. Alternatively, the stopping feature could be a flange on the recessed portion of threaded rod 178 arranged to engage with a retention shoulder (not shown in the figures) within

threaded sleeve 180 in a fully expanded state. It should be appreciated that worm drive 182 could be arranged to transfer torque in other arrangements, i.e., 180 degrees, 270 degrees, or any desirable angle required by the arrangement of worm 184 and gear 186. It should further be appreciated that although a gear 186 is depicted in the figures as a spur gear, other suitable gears may be selected, i.e., a bevel gear, a hypoid gear, a spiral gear, or a face gear.

FIG. 16 is a perspective view of expansion mechanism 276. Expansion mechanism 276 comprises threaded rod 278, lifting nut 280, and worm drive 282 having worm 284 and gear 286. Lifting nut 280 may be connected to superior component 102. In some embodiments, lifting nut 280 comprises platform 288 connected thereto, wherein the platform 288 is connected to superior component 102 such that lifting nut 280 is rotationally fixed. Lifting nut 280 may be fixedly secured to superior component 102; however, it should be appreciated that the frictional engagement between platform 288 and the inner surface of superior component 102 may be sufficient to prevent lifting nut 280 from freely rotating. During surgery and after device 100 is implanted in disc space 12, a surgeon can apply torque to worm drive 282 via any device that imparts rotational force upon worm 284 (e.g., a screw driver or impact driver). Torque is transferred 90 degrees through worm drive 282, via worm 284 and gear 126. Rotation of gear 286 causes threaded rod 278 to rotate. Threaded rod 278 is non-rotationally connected to gear 286. As threaded rod 278 rotates, lifting nut 280 remains rotationally locked due to platform 288 being embedded within superior component 102, or frictional contact with the inner surface of superior component 102. As threaded rod 278 rotates, the threads of the rotationally locked lifting nut 280 ride upward along the threads on threaded rod 278, displacing lifting nut 280, and subsequently superior component 102, in direction DR1. Threaded rod 278 may include a stopping feature to prevent lifting nut 280 from being ejected from threaded rod 280. For example, the top portion of threaded rod 278 could be threadless (not shown in the figures), and therefore prevent lifting nut 280 from being ejected from threaded rod 278. When lifting nut 280 reaches its maximum expansion, the unthreaded portion of threaded rod 278 remains within lifting nut 280, preventing lifting nut 280 from being pushed off of threaded rod 278. Alternatively, the stopping feature could be a flange on the end of threaded rod 278 arranged to engage with lifting nut 280, as shown. It should be appreciated that worm drive 182 could be arranged to transfer torque in other arrangements, i.e., 180 degrees, 270 degrees, or any desirable angle required by the arrangement of worm 184 and gear 186. It should further be appreciated that although a gear 186 is depicted in the figures as a spur gear, other suitable gears may be selected, i.e., a bevel gear, a hypoid gear, a spiral gear, or a face gear.

FIG. 17 is a side view of locking mechanism 220. Locking mechanism 220 comprises plate 222, pawl 224, biasing element 226, post 228, and fastener 230. Plate 222 includes first surface 232, second surface 234, corner 236, hinge 238, and through-bore 240 operatively arranged to receive post 228 and fastener 230. When in the locked position, corner 236 abuts superior component 102 to stop superior component 102 from being displaced in direction DR2. Second surface 234 comprises first plurality of teeth 242 and second plurality of teeth 244. Pawl 224 includes through-bore 246, first pawl head 248, second pawl head 250, and hinge 252. Through-bore 246 is operatively arranged to accept post 228. First and second pawl heads 248 and 250 taper to a point and are operatively arranged to engage with first and

second plurality of teeth 242 and 244, respectively, on second surface 234 of plate 222. Prior to locking, plate 222 and pawl 224 are freely pivotable about hinges 238 and 252, respectively. Hinges 238 and 252 are pivotably secured to first protrusion 254 and second protrusion 256 of inferior component 204 (discussed infra), respectively. It should be appreciated that although hinges 238 and 252 are illustrated as pivotably secured to first protrusion 254 and second protrusion 256, respectively, hinges 238 and 252 could also be placed in a recess within inferior component 204. Biasing element 226 is fixedly secured between inferior component 204 and pawl 224 and provides spring bias to pawl 224 in direction DR1 and/or DR4. It should be appreciated that, although biasing element 226 is depicted in FIGS. 17-20 as a flat spring, other biasing elements known in the art can be used to bias pawl 224 in direction DR1. Post 228 includes first end 258 and second end 260. First end 258 includes male threading 262, and second end 260 includes a stopping element 264. It should be appreciated that, although stopping element 264 is depicted as a spherical member, other variations of stopping elements can be used, e.g., a flanged stopping element. Fastener 230 includes first end 266 and second end 268. First end 266 is operatively arranged to engage with any device known in the art that can impart rotational motion onto fastener 230, e.g., a drill. Second end 268 includes female threading 270 operatively arranged to engage with male threading 262 of post 228.

After device 200 has been inserted into disc space 12 and expanded to an appropriate height, a surgeon can apply torque to first end 266 of fastener 230, pulling post 228 in direction DR3. As post 228 is pulled in direction DR3, stopping element 264 of post 228 forces pawl 224 in direction DR3 against biasing element 226 about hinge 252. When sufficient force is applied, first and second pawl heads 248 and 250, respectively, engage with first and second plurality of teeth 242 and 244 locking the plate 222 in place and preventing the collapse of device 200 (shown in FIGS. 19 and 20) in direction DR2.

FIG. 19 is a front perspective view of device 200 having two locking mechanisms 214 and 216 in an unexpanded state. It should be appreciated that in an example embodiment locking mechanisms 214 and 216 are embodied as locking mechanism 220 discussed supra. Device 200 comprises superior component 202, inferior component 204, and expansion mechanism 210 arranged to displace superior component 202 in first direction DR1 relative to inferior component 204. Superior component 202 and inferior component 204 further comprise at least one first aperture 206 and at least one second aperture 208, respectively, which are arranged to allow fusion between bone fusing material and the adjacent vertebra. Superior component 202 has a first surface 203 and inferior component 204 has a first surface 205. Device 200 further comprises hinge 212 fixedly secured to superior component 202 and inferior component 204 and arranged to rotatably displace the superior component about axis of rotation AR. Expansion mechanism 210 is preferably expansion mechanism 176 described supra. Although FIGS. 19 and 20 depict expansion mechanism 210 fixedly secured within inferior component 204, it should be appreciated that expansion mechanism 210 could also be fixedly secured within superior component 202.

FIG. 20 is a front perspective view of device 200 having locking mechanisms 214 and 216 in an expanded state. After superior component 202 is displaced about axis of rotation AR, locking mechanisms 214 and 216 are engaged and locked as discussed supra. Once locked, superior component 202 is prevented from moving in direction DR2.

FIG. 21 is a side view of locking mechanism 320. Locking mechanism 320 comprises plate 322, post 324, and fastener 326. Plate 322 includes corner 328, hinge 330, and plurality of through-bores 332 operatively arranged to receive post 324 and fastener 326. When in the locked position, corner 328 abuts superior component 102 to stop superior component 102 from being displaced in direction DR2. Post 324 includes first end 336 and second end 338. First end 336 includes male threading 340, and second end 338 includes hinge 342. Plurality of through-bores 332 (illustrated in FIG. 22) further includes longitudinal space 334 arranged to receive first end 336 of post 324. Before locking, plate 322 and post 324 are freely pivotable about hinges 330 and 342, respectively, and first end 336 of post 324 moves freely within longitudinal space 334 (shown in FIG. 22) of plurality of through-bores 332. Hinges 330 and 342 are pivotably secured to first protrusion 344 and second protrusion 346, respectively, of inferior component 302 (discussed infra). It should be appreciated that although hinges 330 and 342 are illustrated as pivotably secured to first protrusion 344 and second protrusion 346, respectively, hinges 330 and 342 could also be placed in a recess within inferior component 304. Fastener 326 includes first end 348, second end 350, and flange 352. First end 348 is operatively arranged to engage with any device known in the art that can impart rotational motion onto fastener 326, e.g., a drill. Second end 350 includes female threading 354 operatively arranged to engage with male threading 340 of post 324. Flange 352 has diameter D1 and is operatively arranged to abut against the surface of plate 322 when second end 350 is seated within one of plurality of through-bores 332 of plate 322.

After device 300 (shown in FIGS. 23 and 24) has been inserted into disc space 12 and expanded to an appropriate height, a surgeon can apply torque to first end 348 of fastener 326, pulling fastener 326 in direction DR4. As fastener 326 is pulled in direction DR4, flange 352 also moves in direction DR4 until flange 352 abuts the surface of plate 322 while second end 350 of fastener 326 is seated within one of plurality of through-bores 332 of plate 322 locking plate 322 in place and preventing the collapse of device 300 (shown in FIGS. 23 and 24) in direction DR2.

FIG. 23 is a front perspective view of device 300 with locking mechanisms 314 and 316, in an unexpanded state. It should be appreciated that in an example embodiment, locking mechanisms 314 and 316 are embodied as locking mechanism 320 discussed supra. Device 300 comprises superior component 302, inferior component 304, and expansion mechanism 310 arranged to displace superior component 302 in a first direction DR1 relative to inferior component 304. Superior component 302 and inferior component 304 further comprise at least one first aperture 306 and at least one second aperture 308, respectively, which are arranged to allow fusion between bone fusing material and the adjacent vertebra. Superior component 302 has a first surface 303 and inferior component 304 has a first surface 305. Device 300 further comprises hinge 312 fixedly secured to superior component 302 and inferior component 304 and arranged to rotatably displace the superior component about axis of rotation AR. Although FIGS. 23 and 24 depict expansion mechanism 310 fixedly secured within inferior component 304, it should be appreciated that expansion mechanism 310 could also be fixedly secured within superior component 302.

FIG. 24 is a front perspective view device 300 with locking mechanisms 314 and 316, in an expanded state. After superior component 302 is displaced about axis of rotation AR, locking mechanisms 314 and 316 are engaged

and locked as discussed supra. Once locked, superior component 302 is prevented from moving in direction DR2.

FIG. 25 is a partial front perspective view of a locking mechanism 420 in an unlocked state. Locking mechanism 420 comprises plates 422 and 424, post 426, and fastener 428. Plates 422 and 424 are fixedly secured to superior component 402 and inferior component 404 (discussed infra), respectively. Plates 422 and 424 include first plurality of through-bores 430 and second plurality of through-bores 432, respectively. First plurality of through-bores 430 and second plurality of through-bores 432, which have diameter D2, less than diameter D3, and greater than diameter D1. First plurality of through-bores 430 and second plurality of through-bores 432 are operatively arranged to receive post 426 and fastener 428. First plurality of through-bores 430 includes longitudinal space 434, and second plurality of through-bores 432 includes longitudinal space 436. Post 426 includes a first end 438 and a second end 440. First end 438 has diameter D1 and includes male threading 442, and second end 440 includes shoulder 444 and stopping element 446. Shoulder 444 has diameter D2 and is operatively arranged to engage with first plurality of through-bores 430. Fastener 428 includes first end 448 and second end 450. First end 448 has diameter D3 (shown in FIG. 26) and is operatively arranged to engage with any device known in the art that can impart rotational motion onto fastener 428, e.g., a drill. Second end 450 has diameter D2 and includes female threading 452 operatively arranged to engage with male threading 442 of post 426.

Before locking, post 426 is freely moveable within longitudinal spaces 434 and 436. During surgery, and after device 400 (discussed infra) has been expanded to its final height, a surgeon imparts rotational motion to fastener 428. Female threading 452 of fastener 428 engages with male threading 442 of post 426 pulling post 426 in direction DR3. Post 426 is pulled in direction DR3 until shoulder 444 engages one of the through-bores of first plurality of through-bores 430 and second end 450 of fastener 428 engages one of the through-bores of the second plurality of through-bores 432. When both second end 450 of fastener 428 and shoulder 444 of post 426 are engaged with the respective through-bores, device 400 is locked and is prevented from collapsing in direction DR2. It should be appreciated that, although not depicted in the figures, it is possible for shoulder 444 or second end 450 of fastener 428 to engage with both the first plurality of through-bores 430 and second plurality of through-bores 432 simultaneously. FIG. 26 is a partial front perspective view of a locking mechanism 420 in a locked state. When device 400 is in the fully collapsed state, plates 422 and 424 nest within recesses 418.

FIG. 27 is a front perspective view of device 400 with locking mechanisms 414 and 416, in an unexpanded state. Device 400 comprises superior component 402, inferior component 404, and expansion mechanism 410 arranged to displace superior component 402 in a first direction DR1 relative to inferior component 404. Superior component 402 and inferior component 404 further comprise at least one first aperture 406 and at least one second aperture 408, which are arranged to allow fusion between bone fusing material and the adjacent vertebra. Superior component 402 has a first surface 403 and inferior component 404 has a first surface 405. Device 400 further comprises hinge 412 fixedly secured to superior component 402 and inferior component 404 and arranged to rotatably displace the superior component about axis of rotation AR. Locking mechanisms 414 and 416 are preferably locking mechanism 420 described

supra. Expansion mechanism 410 is preferably expansion mechanism 176 described supra. It should be noted that since plates 422 and 424 are fixedly secured to superior and inferior components 102 and 104, respectively, recesses 418 are provided within which plates 422 and 424 can nest while device 400 is in a collapsed state. It should further be appreciated that plates 422 and 424 can be hingedly secured to superior component 402 and inferior component 404, respectively. FIG. 28 is a front perspective view of device 400 with locking mechanisms 414 and 416 in an expanded state.

FIG. 29 is a partial front perspective view of a locking mechanism 520 in an unlocked state. Locking mechanism 520 comprises plates 522 and 524, and fastener 426. Plates 522 and 524 are fixedly secured to superior component 502 and inferior component 504 (discussed infra), respectively. Plate 522 includes first plurality of through-bores 530 and plate 524 includes second plurality of through-bores 532. Each through-bore of first plurality of through-bores 530 has diameter D2. Each through-bore of the second plurality of through-bores 532 has diameter D1 larger than D2. First plurality of through-bores 530 and second plurality of through-bores 532 are operatively arranged to fastener 526. Second plurality of through-bores 532 further includes longitudinal space 534. Fastener 526 includes first end 540 and second end 542. First end 540 has diameter D2 and is operatively arranged to engage with any device known in the art that can impart rotational motion onto fastener 526, e.g., a drill. Second end 542 has diameter D1 and includes male threading 544 operatively arranged to engage with any of the through-bores of first plurality of through-bores 530.

Before locking, fastener 526 is freely moveable within longitudinal space 534. During surgery, and after device 500 (discussed infra) has been expanded to its final height, a surgeon imparts rotational motion to fastener 526. Male threading 544 of fastener 526 engages any of the through-bores of first plurality of through-bores 530 which pulls fastener 526 in direction DR4. When first end 540 of fastener 526 is engaged with second plurality of through-bores 532 and second end 542 is engaged with first plurality of through-bores 530, device 500 is locked and prevented from collapsing in direction DR2. FIG. 30 is a partial front perspective view of a locking mechanism 520 in a locked state. When device 500 is in the fully collapsed state, plates 522 and 524 nest within recesses 518.

FIG. 31 is a front perspective view of device 500 with locking mechanisms 514 and 516, in an unexpanded state. Device 500 comprises superior component 502, inferior component 504, and expansion mechanism 510 arranged to displace superior component 502 in a first direction DR1 relative to inferior component 504. Superior component 502 and inferior component 504 further comprise at least one first aperture 506 and at least one second aperture 508, which are arranged to allow fusion between bone fusing material and the adjacent vertebra. Superior component 502 has a first surface 503 and inferior component 504 has a first surface 505. Device 500 further comprises hinge 512 fixedly secured to superior component 502 and inferior component 504 and arranged to rotatably displace the superior component about axis of rotation AR. Locking mechanisms 514 and 516 are preferably locking mechanism 520 described supra. Expansion mechanism 510 is preferably expansion mechanism 176 described supra. It should be noted that since plates 522 and 524 are fixedly secured to superior and inferior components 502 and 504, respectively, recesses 518 are provided within which plates 522 and 524 can nest while device 500 is in a collapsed state. It should further be

15

appreciated that plates **522** and **524** can be hingedly secured to superior component **502** and inferior component **504**, respectively. FIG. **32** is a front perspective view of device **500** with locking mechanisms **514** and **516** in an expanded state.

FIG. **33** is a perspective view of stand-alone expandable interbody spinal fusion device **600**, in an unexpanded state. Device **600** comprises superior component **602**, inferior component **604**, and expansion mechanisms **606**, **608**, and **610** (described infra) arranged to displace superior component **602** in a first direction DR1 relative to inferior component **604**, giving device **600** an expanded height H_2 greater than unexpanded height H_1 (shown in FIGS. **37** and **38**). Device **600** also comprises locking mechanisms **612**, **614**, **616**, and **618** arranged between superior component **602** and inferior component **604**.

Locking mechanism **612** comprises plate **620A** (shown in FIG. **33**) and **620B** (shown in FIG. **34**). Locking mechanism **614** comprises plates **620C** (shown in FIG. **33**) and **620D** (shown in FIG. **34**). Locking mechanism **616** comprises plates **620E** (shown in FIG. **33**) and **620F** (shown in FIG. **34**). Locking mechanism **618** comprises plates **620G** (shown in FIG. **33**) and **620H** (shown in FIG. **34**). Plates **620A** and **620C** further include through-bores **622A** and **622C**, respectively. Plates **620E** and **620G** further comprise square through-bores **622E** and **622G**, respectively. Plates **620B**, **620D**, **620F**, and **620H** further comprise a plurality of through-bores, i.e., plurality of through-bores **622B**, **622D**, **622F**, and **622H**, respectively. It should be appreciated that, although plates **620A-620H** are shown as integral within superior component **602** and inferior component **604**, plates **620A-620H** could also be discrete plates, fixedly secured to superior component **602** and inferior component **604**.

Superior component **602** and inferior component **604** further comprise at least one first aperture **624** arranged to allow fusion between bone fusing material and the adjacent vertebra and a second aperture **626** located on the front face of device **600** and arranged to allow the introduction of bone fusing material into device **600**. Second aperture **626** is illustrated as an arched slot as a non-limiting example, however, it should be appreciated that second aperture **626** could be an aperture of any suitable shape, e.g., triangular, circular, rectangular, elliptical, etc., that would allow for the introduction of bone fusing material into device **600**. Superior component **602** has a first surface **603** and inferior component **604** has a first surface **605**.

FIG. **34** is a perspective view of stand-alone expandable interbody spinal fusion device **600**, in an expanded state. It should be appreciated that FIG. **34** is a partial view, i.e., superior component **602** has been removed for clarity. During surgery and after device **600** is implanted in disc space **12**, a surgeon can apply torque to expansion mechanisms **606**, **608**, and **610** via any device that imparts rotational force upon expansion mechanisms **606**, **608**, and **610** (e.g., a screw driver or impact driver). Expansion mechanisms **606**, **608** and **610** are preferably the embodiment illustrated in FIGS. **15** and **16**, described supra. Furthermore, it should be appreciated that although expansion mechanisms **606**, **608**, and **610** are depicted within inferior component **604** in FIGS. **33-38**, expansion mechanisms **606**, **608**, and **610** could be arranged within superior component **602**. The rotational force causes expansion mechanisms **606**, **608**, and **610** to displace superior component **602** in direction DR1 relative to inferior component **604** giving device **600** an expanded height H_2 , greater than H_1 (shown in FIGS. **37** and **38**). It should be appreciated that expansion mechanisms **606**, **608**, and **610** can be expanded to any height

16

between unexpanded height H_1 and expanded height H_2 . Device **600** further comprises post **628**. Post **628** is provided to secure locking mechanisms **612** and **616** in position once device **600** is expanded to its final height. Post **628** comprises first section **638**, second section **640**, third section **642**, and fourth section **644**. First section **638** has a first end **632**, a second end **634**, and a flange **636**. First end **632** is operatively arranged to engage with any device known in the art that can impart rotational motion onto first section **638**, e.g., a drill. Second end **634** is arranged non-rotatably secure to second section **640**. Second section **640** includes external helical male threading **646**. Third section **642** includes a substantially hollow shaft with cavity **650**. Cavity **650** includes internal helical female threading **651** operatively arranged to engage with male threading **646**. Fourth section **644** includes cylindrical portion **647** non-rotatably secured to third section **642** and stopping element **648** which is embodied as a substantially rectangular member operatively arranged to abut the surface of plate **620F** and prevent movement of post **628** in direction DR3. Second section **640** has a diameter D1. Third section **642** has diameter D2 larger than D1. Cylindrical portion **647** of fourth section **644** has diameter D3 larger than D2, and stopping element **648** has diameter D4 larger than D3. Flange **636** has diameter D4 larger than D3.

Prior to locking, first end **632** of first section **638** is slidably engaged with through-bore **622A** (shown in FIG. **33**); second section **640** is loosely seated in the longitudinal space formed between each through-bore of plurality of through-bores **622B** of plate **620B**; third section **642** is loosely seated in the longitudinal space formed between each through-bore of plurality of through-bores **622F** of plate **620F**; and cylindrical portion **647** of fourth section **644** is slidably engaged with square through-bore **622E** of plate **620E**.

After device **600** has been inserted into disc space **12** and expanded to an appropriate height, a surgeon can apply torque to first end **632** of first section **638**. The torque is then transferred to second section **640** having male threading **646**. Second section **640** engages with female threading **651** in cavity **650** of third section **642**, pulling post **628** in direction DR3 into the locked position. In the locked position, flange **636** abuts the surface of plate **620A** preventing further displacement in direction DR4, and second end **634** of first section **638** is completely seated in one of the through-bores of plurality of through-bores **622B** which corresponds to the chosen device height. In this locked position, device **600** is prevented from collapsing in direction DR2. Additionally, in the locked position, cylindrical portion **647** of fourth section **644** is completely seated in one of the through-bores of plurality of through-bores **622F** of plate **620F**, and stopping element **648** abuts the outer surface of plate **620F**, thereby preventing further displacement of third section **642** and fourth section **644** in direction DR3.

Device **600** further comprises post **652** (shown in FIGS. **34**, **36**, and **38**). Post **652** is provided to secure locking mechanisms **614** and **618** in position once device **600** is expanded to its final height. Post **652** further comprises first section **662**, second section **644**, third section **666**, and fourth section **668**. First section **662** includes first end **656**, second end **658**, and flange **660**. First end **656** includes a recess operatively arranged to engage with any device known in the art that can impart rotational motion onto first section **662**, e.g., a drill. Second end **658** is non-rotatably secured to second section **664**. Second section **664** includes external helical male threading **670**. Third section **666** includes a substantially hollow shaft with cavity **674**. Cavity

674 includes internal helical female threading 675 operatively arranged to engage with male threading 670. Fourth section 668 includes cylindrical portion 671 non-rotatably secured to third section 666 and stopping element 672, which is embodied as a substantially rectangular member operatively arranged to abut the surface of plate 620H and prevent movement of post 652 in direction DR3. Second section 664 has a diameter D1. Third section 666 has diameter D2 larger than D1. Cylindrical portion 671 of fourth section 668 has diameter D3 larger than D2, and stopping element 672 has diameter D4 larger than D3. Flange 660 has diameter D4 larger than D3.

After device 600 has been inserted into disc space 12 and expanded to an appropriate height, a surgeon can apply torque to first end 656 of first section 662. The torque is then transferred to second section 664 having male threading 670. Second section 664 engages with female threading 675 in cavity 674 of third section 666, pulling post 652 in direction DR3 into the locked position. In the locked position, flange 660 abuts the surface of plate 620C preventing further displacement in direction DR4, second end 658 of first section 662 is completely seated in one of the through-bores of plurality of through-bores 622D which corresponds to the chosen device height. In this locked position, device 600 is prevented from collapsing in direction DR2. Additionally, in the locked position, cylindrical portion 671 of fourth section 668 is completely seated in one of the through-bores of plurality of through-bores 622H of plate 620H, and stopping element 672 abuts the outer surface of plate 620F, thereby preventing further displacement of third section 664 and fourth section 644 in direction DR3.

FIG. 39 is a partial front perspective view of a locking mechanism 720 in an unlocked state. Locking mechanism 720 comprises plate 722, plate 724, and fastener 726. Plates 722 and 724 are fixedly secured to superior component 702 and inferior component 704 (discussed infra), respectively. Plate 722 includes plurality of catches 730 and plate 724 includes through-bore 732. Through-bore 732 has female threading 734. Plurality of catches 730 is illustrated as a plurality of tapered depressions having a taper back section and a flat ridge similar to a ratchet mechanism, which is arranged to prevent motion in one direction while allowing motion in a second direction. Fastener 726 includes first end 740 and second end 742. Second end 742 has diameter D1 and includes male threading 744 operatively arranged to engage with female threading 734 of through-bore 732. First end 740 of fastener 726 has diameter D2 larger than D1. First end 740 is operatively arranged to engage with any device known in the art that can impart rotational motion onto fastener 726, e.g., a drill. Each catch of plurality of catches 730 has a width greater than or equal to diameter D2.

Before locking, fastener 726 is loosely engaged with female threading 734 of through-bore 732. During surgery, and after device 700 (discussed infra) has been expanded to its final height, a surgeon imparts rotational motion to fastener 726. Male threading 744 of fastener 726 further engages with female threading 734 of through-bore 732 which pulls fastener 726 in direction DR4. When second end 742 of fastener 726 is engaged with one of the catches of plurality of catches 730, device 700 is locked and prevented from collapsing in direction DR2. FIG. 40 is a partial front perspective view of a locking mechanism 720 in a locked state. When device 700 is in the fully collapsed state, plates 722 and 724 nest within recesses 718.

FIG. 41 is a front perspective view of device 700 with locking mechanisms 714 and 716, in an unexpanded state. Device 700 comprises superior component 702, inferior

component 704, and expansion mechanism 710 arranged to displace superior component 702 in a first direction DR1 relative to inferior component 704. Superior component 702 and inferior component 704 further comprise at least one first aperture 706 and at least one second aperture 708, which are arranged to allow fusion between bone fusing material and the adjacent vertebra. Superior component 702 has a first surface 703, and inferior component 704 has a first surface 705. Device 700 further comprises hinge 712 fixedly secured to superior component 702 and inferior component 704 and arranged to rotatably displace the superior component about axis of rotation AR. Locking mechanisms 714 and 716 are preferably locking mechanism 720 described supra. Expansion mechanism 710 is preferably expansion mechanism 176 described supra. It should be noted that since plates 722 and 724 are fixedly secured to superior and inferior components 702 and 704, respectively, recesses 718 are provided within which plates 722 and 724 can nest while device 700 is in a collapsed state. It should further be appreciated that plates 722 and 724 can be hingedly secured to superior component 702 and inferior component 704, respectively. FIG. 42 is a front perspective view of device 700 with locking mechanisms 714 and 716 in an expanded state.

FIG. 43 is a partial front perspective view of a locking mechanism 820 in an unlocked state. Locking mechanism 820 comprises plate 822, plate 824, and fastener 826. Plates 822 and 824 are fixedly secured to superior component 802 and inferior component 804 (discussed infra), respectively. Plate 822 includes plurality of catches 830 and plate 824 includes through-bore 832. Through-bore 832 has female threading 834. Plurality of catches 830 are illustrated as a series of cylindrical partial-through-bores. Fastener 826 includes first end 840 and second end 842. Second end 842 has diameter D1 and includes male threading 844 operatively arranged to engage with female threading 834 of through-bore 832. First end 840 of fastener 826 has diameter D2 larger than D1. First end 840 is operatively arranged to engage with any device known in the art that can impart rotational motion onto fastener 826, e.g., a drill. Each catch of plurality of catches 830 has a width greater than or equal to diameter D2.

Before locking, fastener 826 is loosely engaged with female threading 834 of through-bore 832. During surgery, and after device 800 (discussed infra) has been expanded to its final height, a surgeon imparts rotational motion to fastener 826. Male threading 844 of fastener 826 further engages with female threading 834 of through-bore 832, which pulls fastener 826 in direction DR4. When second end 842 of fastener 826 is engaged with one of the catches of plurality of catches 830, device 800 is locked and prevented from collapsing in direction DR2. FIG. 44 is a partial front perspective view of a locking mechanism 820 in a locked state. When device 800 is in the fully collapsed state, plates 822 and 824 nest within recesses 818.

FIG. 45 is a front perspective view of device 800 with locking mechanisms 814 and 816, in an unexpanded state. Device 800 comprises superior component 802, inferior component 804, and expansion mechanism 810 arranged to displace superior component 802 in a first direction DR1 relative to inferior component 804. Superior component 802 and inferior component 804 further comprise at least one first aperture 806 and at least one second aperture 808, which are arranged to allow fusion between bone fusing material and the adjacent vertebra. Superior component 802 has a first surface 803 and inferior component 804 has a first surface 805. Device 800 further comprises hinge 812 fixedly

secured to superior component **802** and inferior component **804**, and it is arranged to rotatably displace the superior component about axis of rotation AR. Locking mechanisms **814** and **816** are preferably locking mechanism **820** described supra. Expansion mechanism **810** is preferably expansion mechanism **176** described supra. It should be noted that since plates **822** and **824** are fixedly secured to superior and inferior components **802** and **804**, respectively, recesses **818** are provided within which plates **822** and **824** can nest while device **800** is in a collapsed state. It should further be appreciated that plates **822** and **824** can be hingedly secured to superior component **802** and inferior component **804**, respectively. FIG. **46** is a front perspective view of device **800** with locking mechanisms **814** and **816** in an expanded state.

FIG. **47** is a front perspective view of expandable interbody spinal fusion device **900**. FIG. **47** is a front perspective view of stand-alone expandable interbody spinal fusion device **900** in an expanded state. FIG. **48** is a partial exploded view of stand-alone expandable interbody spinal fusion device **900**. FIG. **49** is a detail view of stand-alone expandable interbody spinal fusion device **900** taken generally along detail **49** in FIG. **48**. FIG. **50A** is a front perspective view of stand-alone expandable interbody spinal fusion device **900**. FIG. **50B** is a side elevational view of stand-alone expandable interbody spinal fusion device **900**. FIG. **51** is a side elevational view of stand-alone expandable interbody spinal fusion device **900** in a collapsed state. Expandable interbody spinal fusion device **900** generally comprises superior component **910**, inferior component **940**, and one or more locking screws **904A-B**. The following description should be read in view of FIGS. **47-51**.

Superior component **910** comprises surface **912**, protrusion **918**, protrusion **922**, protrusion **926**, and hinge portion **930**. Surface **912** is operatively arranged to engage a vertebra. Surface **912** may further comprise one or more ribs **914** and at least one aperture **916**. Aperture **916** is arranged to allow bone material injected into cavity **902** to fuse with the adjacent vertebra. Protrusion **918** extends from surface **912** and engages with slot **952** of inferior component **940**. Protrusion **918** comprises a plurality of catches **920**. Protrusion **922** extends from surface **912** and engages with slot **948** of inferior component **940**. Protrusion **922** comprises a plurality of catches **924**. Protrusion **926** comprises through-bore **928**. Through-bore **928** is designed such that screw **906A** can pass therethrough and secure superior component **910** to the adjacent vertebra. In the embodiment shown, through-bore **928** is arranged at an angle to surface **912**, said angle being greater than 0 degrees and less 90 degrees (see FIG. **51**).

Inferior component **940** comprises surface **942**, slot **948**, slot **925**, protrusion **956**, and hinge portion **960**. Surface **942** is operatively arranged to engage a vertebra. Surface **942** may further comprise one or more ribs **944** and at least one aperture **946**. Aperture **946** is arranged to allow bone material injected into cavity **902** to fuse with the adjacent vertebra. Slot **948** is arranged to engage protrusion **922**. Slot **948** comprises hole **950** which is operatively arranged to be aligned with one or more of plurality of catches **924**. Slot **952** is arranged to engage protrusion **918**. Slot **952** comprises hole **954**, which is operatively arranged to be aligned with one or more of plurality of catches **920**. Protrusion **956** comprises through-bore **958**. Through-bore **958** is designed such that screw **906B** can pass therethrough and secure inferior component **940** to the adjacent vertebra. In the embodiment shown, through-bore **958** is arranged at an angle to surface **942**, said angle being greater than 0 degrees

and less 90 degrees (see FIG. **51**). Inferior component **940** may further comprise one or more ports **964A-B**. Ports **964A-B** are operatively arranged to be engaged by a tool such that the user (e.g., a surgeon) can hold expandable interbody spinal fusion device **900** in place between adjacent vertebrae (i.e., in place of the removed disc) while expanding superior component **910** with respect to inferior component **940**.

When assembled, superior component **910** is hingedly secured to inferior component **940**, and cavity **902** is formed therebetween. As shown, cup-shaped hinge portion **960** is arranged at least partially concentrically around pin-shaped hinge portion **930**. In some embodiments, hinge portion **960** is pin-shaped and hinge portion **930** is cup-shaped, with hinge portion **930** concentrically arranged around hinge portion **960**. In some embodiments, hinge portions **930** and **960** comprise through-bores through which a pin is passed, to form a normal pin-style hinge between superior component **910** and inferior component **940**. Superior component **910** comprises surface **932** and inferior component **940** comprises surface **962**. In a collapsed state, as shown in FIG. **51**, surface **932** abuts against (or is arranged substantially proximate to) surface **962**. In an expanded state, as shown in FIGS. **47-50B**, surface **932** is spaced apart from surface **962**. To expand expandable interbody spinal fusion device **900**, locking screws **904A-B** are removed and superior component **910** is hingedly expanded to a desired height. Once expandable interbody spinal fusion device **900** has been expanded to the desired height, locking screws **904A-B** are reinserted to lock superior component **910** and inferior component **940**. Specifically, locking screw **904A** is inserted through the catch of plurality of catches **924** that is aligned with hole **950** and screwed into inferior component **940**. As locking screw **904A** is tightened in hole **950**, a locking portion of locking screw **904A** engages the aligned catch, thereby locking expandable interbody spinal fusion device **900** at its set height. Similarly, locking screw **904B** is inserted through the catch of plurality of catches **920** that is aligned with hole **954** and screwed into inferior component **940**. As locking screw **904B** is tightened in hole **954**, a locking portion of locking screw **904B** engages the aligned catch thereby locking expandable interbody spinal fusion device **900** at its set height. Once expandable interbody spinal fusion device **900** is locked at its desired height, screws **906A-B** are inserted through through-bores **928** and **958**, respectively, securing superior component **910** and inferior component **940** to adjacent vertebrae. Expandable interbody spinal fusion device **900**, specifically cavity **902**, may then be filled with bone fusion material. In some embodiments, locking screws **904A-B** are not arranged to be completely removed from inferior component **940**, and comprise retention rings such that they cannot be removed from inferior component **940**. In such embodiments, locking screws **904A-B** are unscrewed from inferior component **940** until such is prevented by the retention rings, at which point the locking portion of locking screws **904A-B** are clear of catches **924** and **920**, respectively, and superior component **910** can be expanded/collapsed with respect to inferior component **940**.

It will be appreciated that various aspects of the disclosure above and other features and functions, or alternatives thereof, may be desirably combined into many other different systems or applications. Various presently unforeseen or unanticipated alternatives, modifications, variations, or improvements therein may be subsequently made by those skilled in the art which are also intended to be encompassed by the following claims.

LIST OF REFERENCE NUMERALS

10 Spinal column		130 Fastener	
C1-C7 Cervical vertebrae		132 First end	
T1-T9 Thoracic vertebrae	5	134 Second end	
L1-L5 Lumbar vertebrae		136 Female threading	
S Sacrum		138 First section	
C Coccyx		140 Second section	
D1 First diameter		142 Third section	
D2 Second diameter	10	144 Fourth section	
D3 Third diameter		146 Male threading	
D4 Fourth diameter		148 Stopping element	
DR1 Direction		150 Longitudinal space	
DR2 Direction		152 Post	
DR3 Direction	15	154 Fastener	
DR4 Direction		156 First end	
DL1-L2 Disc		158 Second end	
DL2-L3 Disc		160 Female threading	
DL3-L4 Disc		162 First section	
DL4-L5 Disc	20	164 Second section	
F Facet		166 Third section	
FJ Facet joint		168 Fourth section	
H1 Collapsed height		170 Male threading	
H2 Expanded height		172 Stopping element	
SP Spinous process	25	174 Longitudinal space	
TP Transverse process		176 Expansion mechanism	
IF Intervertebral foramen		178 Threaded rod	
A Annulus		180 Threaded sleeve	
AR Axis of rotation		182 Worm drive	
N Nucleus	30	184 Worm	
NC Neural canal		186 Gear	
H1 Unexpanded height		200 Second embodiment	
H2 Expanded height		202 Superior component	
RD1 Rotational direction 1		203 First surface	
RD2 Rotational direction 2	35	204 Inferior component	
12 Disc space		205 Second surface	
100 Device		206 First aperture	
102 Superior component		208 Second Aperture	
103 First surface		210 Expansion mechanism	
104 Inferior component	40	212 Hinge	
105 Second surface		214 Locking Mechanism	
106 Expansion mechanism		216 Locking Mechanism	
108 Expansion mechanism		220 Locking mechanism	
110 Expansion mechanism		222 Plate	
112 Locking mechanism	45	224 Pawl	
114 Locking mechanism		226 Biasing element	
116 Locking mechanism		228 Post	
118 Locking mechanism		230 Fastener	
120A Plate		232 First surface	
120B Plate	50	234 Second surface	
120C Plate		236 Corner	
120D Plate		238 Hinge	
120E Plate		240 Through-bore	
120F Plate		242 First plurality of teeth	
120G Plate	55	244 Second plurality of teeth	
120H Plate		246 Through-bore	
122A Through-bores		248 First pawl head	
122B Through-bores		250 Second pawl head	
122C Through-bores		252 Hinge	
122D Through-bores	60	254 First protrusion	
122E Through-bores		256 Second protrusion	
122F Through-bores		258 First end	
122G Through-bores		260 Second end	
122H Through-bores		262 Male threading	
124 First aperture	65	264 Stopping element	
126 Second aperture		266 First end	
128 Post		268 Second end	
		270 Female threading	
		276 Expansion mechanism	

278 Threaded rod
 280 Lifting nut
 282 Worm drive
 284 Worm
 286 Gear
 288 Platform
 300 Device
 302 Superior component
 303 First surface
 304 Inferior component
 305 Second surface
 306 First aperture
 308 Second aperture
 310 Expansion mechanism
 312 Hinge
 314 Locking Mechanism
 316 Locking Mechanism
 320 Locking mechanism
 322 Plate
 324 Post
 326 Fastener
 328 Corner
 330 Hinge
 332 Plurality of through-bores
 334 Longitudinal space
 336 First end
 338 Second end
 340 Male threading
 342 Hinge
 344 First protrusion
 346 Second protrusion
 348 First end
 350 Second end
 352 Flange
 354 Female threading
 420 Locking mechanism
 422 Plate
 424 Plate
 426 Post
 428 Fastener
 430 Plurality of through-bores
 432 Plurality of through-bores
 434 Longitudinal space
 436 Longitudinal space
 438 First end
 440 Second end
 442 Male threading
 444 Shoulder
 446 Stopping element
 448 First end
 450 Second end
 452 Female threading
 400 Device
 402 Superior component
 403 First surface
 404 Inferior component
 405 Second surface
 406 First aperture
 408 Second aperture
 410 Expansion mechanism
 412 Hinge
 414 Locking mechanism
 416 Locking mechanism
 418 Recess
 500 Device
 502 Superior component
 503 First surface

504 Inferior component
 505 Second surface
 506 First aperture
 508 Second aperture
 510 Expansion mechanism
 512 Hinge
 514 Locking mechanism
 516 Locking mechanism
 518 Recess
 520 Locking mechanism
 522 Plate
 524 Plate
 526 Fastener
 530 Plurality of through-bores
 532 Plurality of through-bores
 534 Longitudinal space
 540 First end
 542 Second end
 544 Male threading
 600 Device
 602 Superior component
 603 First surface
 604 Inferior component
 605 Second surface
 606 Expansion mechanism
 608 Expansion mechanism
 610 Expansion mechanism
 612 Locking mechanism
 614 Locking mechanism
 616 Locking mechanism
 618 Locking mechanism
 620A Plate
 620B Plate
 620C Plate
 620D Plate
 620E Plate
 620F Plate
 620G Plate
 620H Plate
 622A Through-bore
 622B Through-bores
 622C Through-bore
 622D Through-bores
 622E Square through-bore
 622F Through-bores
 622G Square through-bore
 622H Through-bores
 624 First aperture
 626 Second aperture
 628 Post
 630 Fastener
 632 First end
 634 Second end
 636 Flange
 638 First section
 640 Second section
 642 Third section
 644 Fourth section
 646 Male threading
 647 Cylindrical portion
 648 Stopping element
 650 Cavity
 651 Female threading
 652 Post
 654 Fastener
 656 First end
 658 Second end

660 Flange
 662 First section
 664 Second section
 666 Third section
 668 Fourth section
 670 Male threading
 671 Cylindrical portion
 672 Stopping element
 674 Cavity
 675 Female threading
 700 Device
 702 Superior component
 703 First surface
 704 Inferior component
 705 Second surface
 706 First aperture
 708 Second aperture
 710 Expansion mechanism
 712 Hinge
 714 Locking mechanism
 716 Locking mechanism
 718 Recess
 720 Locking mechanism
 722 Plate
 724 Plate
 726 Fastener
 730 Plurality of catches
 732 Through-bore
 734 Female threading
 740 First end
 742 Second end
 744 Male threading
 800 Device
 802 Superior component
 803 First surface
 804 Inferior component
 805 Second surface
 806 First aperture
 808 Second aperture
 810 Expansion mechanism
 812 Hinge
 814 Locking mechanism
 816 Locking mechanism
 818 Recess
 820 Locking mechanism
 822 Plate
 824 Plate
 826 Fastener
 830 Plurality of catches
 832 Through-bore
 834 Female threading
 840 First end
 842 Second end
 844 Male threading
 900 Device
 902 Cavity
 904A Locking screw
 904B Locking screw
 906A Screw
 906B Screw
 910 Superior component
 912 Surface
 914 Ribs
 916 Aperture
 918 Protrusion
 920 Catches
 922 Protrusion

924 Catches
 926 Protrusion
 928 Through-bore
 930 Hinge portion
 5 932 Surface
 940 Inferior component
 942 Surface
 944 Ribs
 946 Aperture
 10 948 Slot
 950 Hole
 952 Slot
 954 Hole
 15 956 Protrusion
 958 Through-bore
 960 Hinge portion
 962 Surface
 964A Port
 20 964B Port

What is claimed is:

1. An expandable interbody spinal fusion device, comprising:
 - 25 an inferior component including at least one hole; a superior component connected to the inferior component, the superior component including a plurality of catches operatively arranged to align with the at least one hole; and,
 - 30 a locking screw operatively arranged to extend through the plurality of catches and engage the at least one hole to lock the superior component with respect to the inferior component.
2. The expandable interbody spinal fusion device as recited in claim 1, wherein the superior component is hingedly connected to the inferior component.
3. The expandable interbody spinal fusion device as recited in claim 1, wherein the superior component comprises a first hinge portion and the inferior component comprises a second hinge portion, the second hinge portion being at least partially concentrically arranged around the first hinge portion.
4. The expandable interbody spinal fusion device as recited in claim 1, wherein the superior component further comprises a first surface including a first aperture.
5. The expandable interbody spinal fusion device as recited in claim 4, wherein the first surface comprises one or more ribs.
6. The expandable interbody spinal fusion device as recited in claim 1, wherein the inferior component further comprises a second surface including a second aperture.
7. The expandable interbody spinal fusion device as recited in claim 6, wherein the second surface comprises one or more ribs.
8. The expandable interbody spinal fusion device as recited in claim 1, wherein the at least one hole is arranged in a slot of the inferior component and the plurality of catches are arranged on a protrusion of the superior component, the protrusion being arranged to engage the slot.
9. The expandable interbody spinal fusion device as recited in claim 1, wherein the inferior component further comprises a first through-bore and the superior component further comprises a second through-bore, the first and second through-bore operatively arranged to engage screws.
- 65 10. The expandable interbody spinal fusion device as recited in claim 1, wherein the superior component and the inferior component form a cavity therebetween.

27

11. The expandable interbody spinal fusion device as recited in claim 1, wherein one of the inferior component and superior component comprises one or more ports.

12. The expandable interbody spinal fusion device as recited in claim 1, further comprising an expansion mechanism operatively arranged to displace the superior component in a first direction relative to the inferior component.

13. An expandable interbody spinal fusion device, comprising:

an inferior component including a first surface and at least one hole;

a superior component hingedly connected to the inferior component, the superior component including a second surface and a plurality of catches operatively arranged to align with the at least one hole;

a cavity formed between the inferior component and the superior component; and,

a locking screw operatively arranged to engage the plurality of catches and the at least one hole to lock the superior component with respect to the inferior component.

14. The expandable interbody spinal fusion device as recited in claim 13, wherein the superior component comprises a first hinge portion and the inferior component comprises a second hinge portion, the second hinge portion being at least partially concentrically arranged around the first hinge portion.

28

15. The expandable interbody spinal fusion device as recited in claim 13, wherein the first surface comprises a first aperture.

16. The expandable interbody spinal fusion device as recited in claim 13, wherein the second surface comprises a second aperture.

17. The expandable interbody spinal fusion device as recited in claim 13, wherein the at least one hole is arranged in a slot of the inferior component and the plurality of catches are arranged on a protrusion of the superior component, the protrusion being arranged to engage the slot.

18. The expandable interbody spinal fusion device as recited in claim 13, wherein:

in a collapsed state, a third surface of the inferior component abuts against a fourth surface of the superior component; and,

in an expanded state, the fourth surface is spaced apart from the third surface.

19. The expandable interbody spinal fusion device as recited in claim 13, wherein the inferior component further comprises a first through-bore and the superior component further comprises a second through-bore, the first and second through-bore operatively arranged to engage screws to secure the expandable interbody spinal fusion device to one or more vertebrae.

20. The expandable interbody spinal fusion device as recited in claim 13, wherein one of the inferior component and superior component comprises one or more ports.

* * * * *